

Technical Data Swing Frame 663R8035

Swing frame for FMS/VMS for mounting at the back pane of the cabinet.

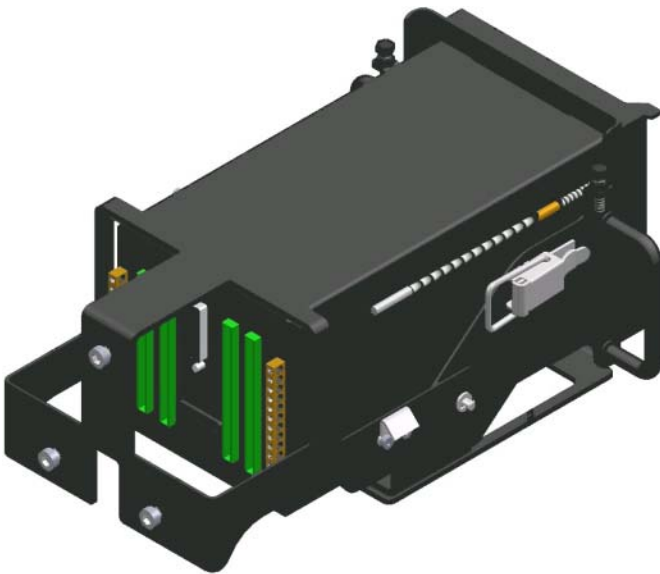


Fig. 1-1 Setting position

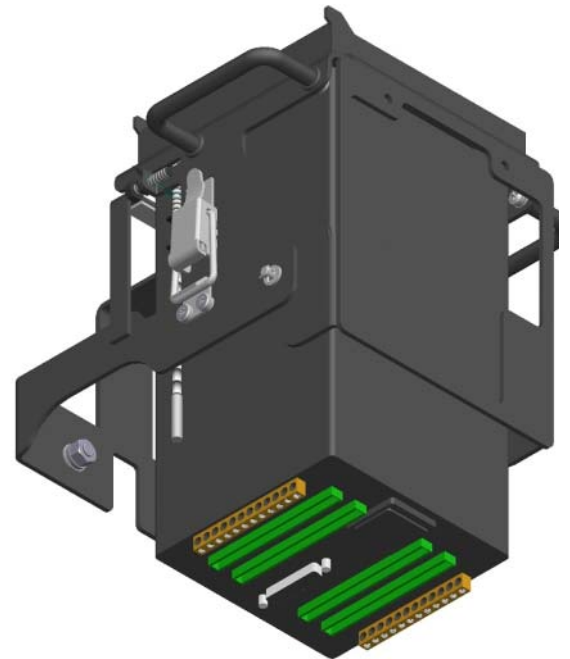


Fig. 1-2 Idle position

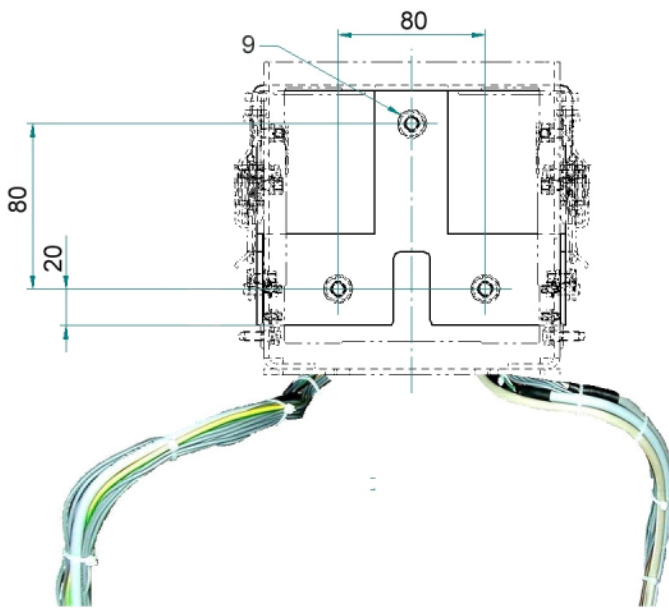


Fig. 1-3 Mounting dimensions

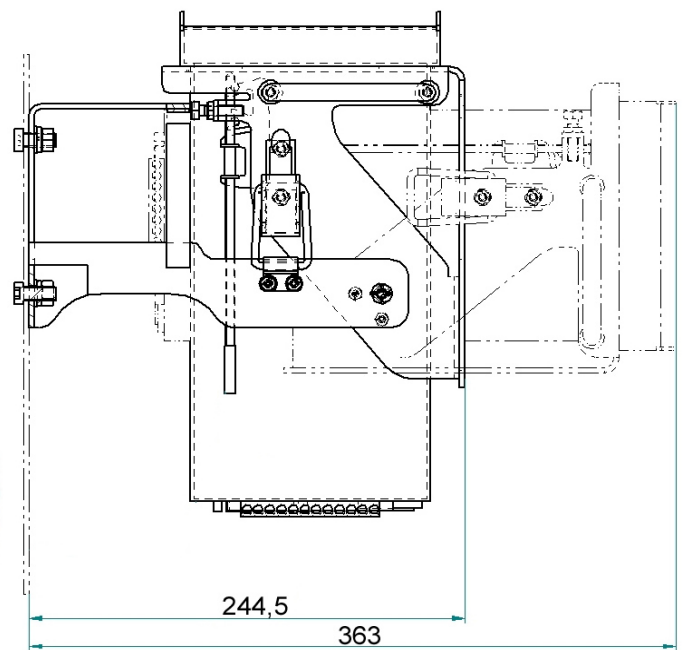


Fig. 1-4 Mounting position

Technical Data

Measurement (hxbxd)	in hinged position: 363x243x245 mm extended, with FMS/VMS: 170x243x363 mm
Minimum depth of cabinet	300 mm

Technical Data Swing Frame 663R8035

Technical Data

Weight	2,3 kg
Material	Sheet steel, powder-coated RAL 9005
Other	
Customs tariff no.	90329000

Order Information

FMS - Swingframe	Order no.
Swingframe for FMS/VMS	663R8035

The information in this publication is subject to technical changes.

**LAMTEC Meß- und Regeltechnik
für Feuerungen GmbH & Co. KG**

Wiesenstraße 6
D-69190 Walldorf

Telefon: +49 (0) 6227 6052-0
Telefax: +49 (0) 6227 6052-57

info@lamtec.de
www.lamtec.de

