

# Technical Data Gas Damper 662R24, Stainless Steel

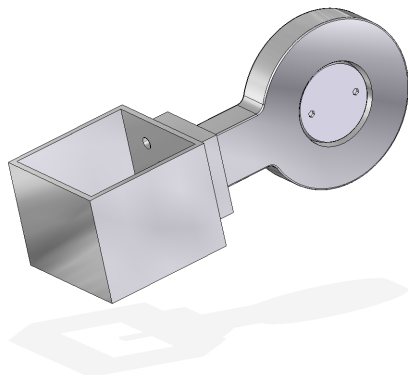


Fig. 1 gas damper with console

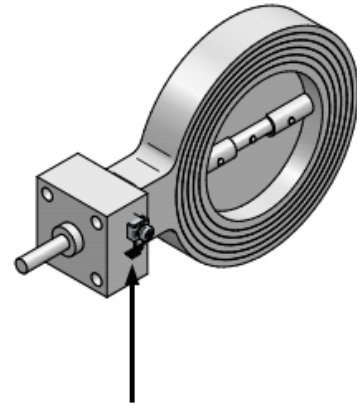


Fig. 2 gas damper with ground terminal for Ex application

<b>Description</b>	<b>Actuator for control without zero flow, in the complete combustion technology</b>
Test specification	type approval according to 90/396/EWG Prod. ID. No. CE-0085-AR0408 DIN 3394-1 Class R <sub>O</sub> DIN 3391 (for medium temperature of: -20 ... +60 °C / -4 ... +140 °F)
Operating pressure	0 to 4 bar
Type of control	for electrical actuators
Mounting position	optional
Design	butterfly disc without limit-stop
Differential pressure delta P <sub>max.</sub>	DN25-DN50 4 bar DN65-DN100 2 bar
Leakage rate without stop bar	1 % of K <sub>VS</sub> -value 90°
Mounting	intermediate flange butterfly - clamp design
Explosion protection	the gas damper is not covered by the directive 2014/34/EU, because with the loads occurring in practice, no effective ignition source occurs even in the event of a fault. The damper must be grounded.

## Gas Damper 662R24

Housing material	stainless steel 1.4301
Material control disk / shaft	stainless steel
Shaft seal	NBR- O-ring

## Environmental Conditions

<b>Operation</b>	permissible temperature range	-20 ... +60 °C / -4 ... 140 °F
<b>Storage/Transport</b>	permissible temperature range	-20 ... +60 °C / -4 ... 140 °F

## Environmental Conditions Gas Damper 662R24V

<b>Ambient Temperature</b>	permissible temperature range	-20 ... +60 °C / -4 ... +140 °F
<b>Medium</b>	aggressive gases (biogas and hydrogen)	
<b>Flow Rate</b>	non-linear	

## Technical Data Gas Damper 662R24, Stainless Steel

### NOTICE

The limits of the technical data must be strictly adhered to.

---

### NOTICE

The gas damper is not suitable for pure oxygen.

---

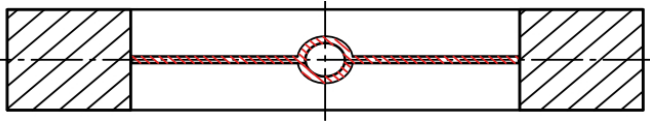


Fig. 3 Butterfly disc (non-linear flow rate)

Suitable pressure stages:	DN25 - DN80	PN10 - PN40, ANSI 300 lbs
	DN100	PN10 - PN40, ANSI 150 lbs, 300 lbs
	DN125 - DN150	PN10 - PN16, ANSI 150 lbs, 300 lbs
	DN200	PN10 - PN16, ANSI 150 lbs
	DN250	PN10, ANSI 150 lbs
	DN300	PN6 - PN10
	DN350 - DN400	PN6 - PN16

# Technical Data Gas Damper 662R24, Stainless Steel

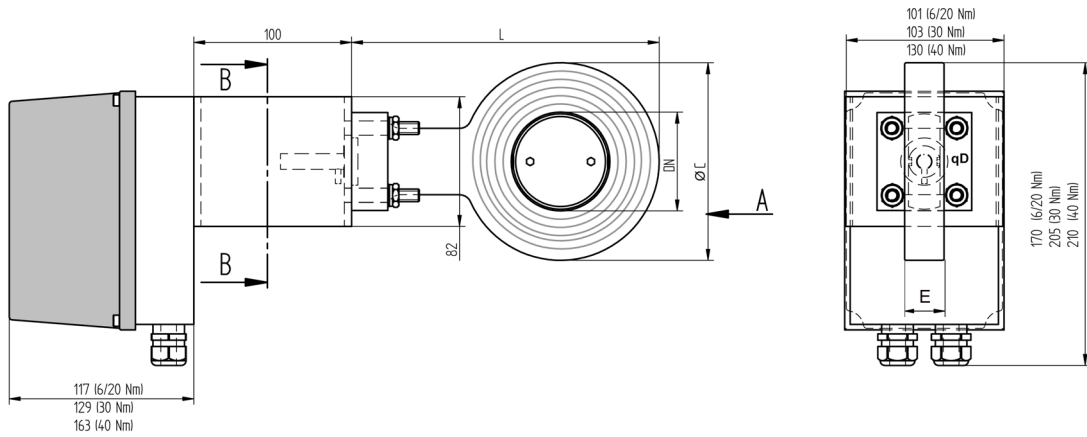


Fig. 4 Butterfly valve with console and coupling mounted on actuator controlled by ETAMATIC/FMS/VMS

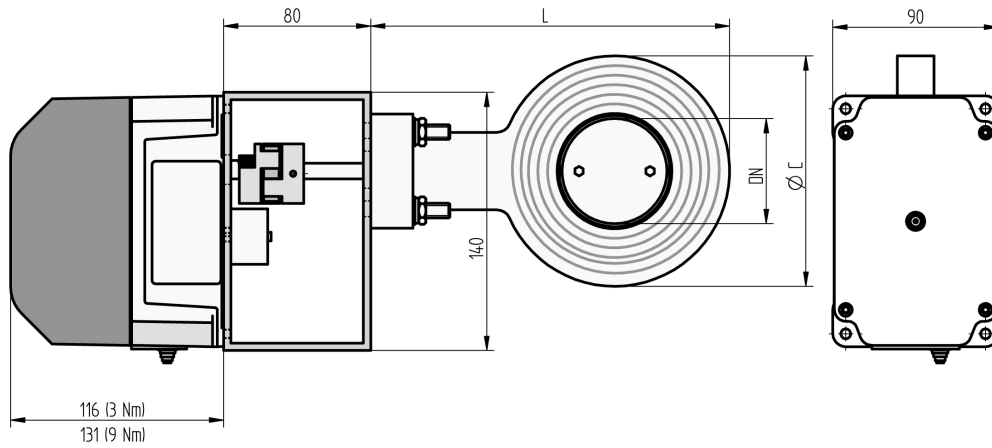


Fig. 5 Butterfly valve with console and coupling mounted on a motor controlled by BT300

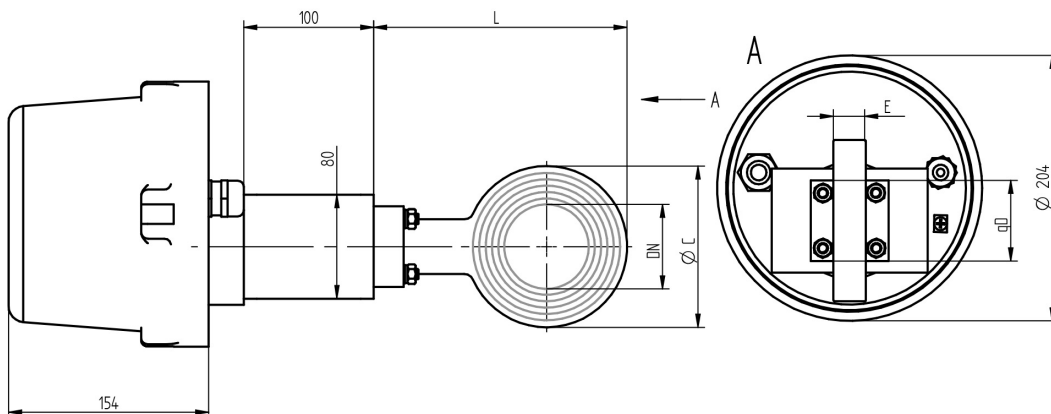


Fig. 6 Butterfly valve with console and coupling mounted on Ex-actuator controlled by ETAMATIC/FMS/VMS

## Technical Data Gas Damper 662R24, Stainless Steel

Non-linear type stainless steel	DN	L	∅ C	q D	E
662R24V/025/000	25=30	153	70	60	25
662R24V/032/000	32	153	70	60	25
662R24V/040/000	40	166	90	60	25
662R24V/050/000	50	183	104	60	25
662R24V/065/000	65	195	124	60	25
662R24V/080/000	80	211	139	60	30
662R24V/100/000	100	231	161	60	30
662R24V/125/000	125	258	191	60	35
662R24V/150/000	150	283	214	60	35
662R24V/200/000	200	344	270	80	40
662R24V/250/000	250	394	320	80	40
662R24V/300/000	300	444	370	80	45
662R24V/350/000	350	523	428	80	45
662R24V/400/000	400	561	465	80	45

# Technical Data Gas Damper 662R24, Stainless Steel

## Order Information

Gas damper for biogas, up to 60 °C / 140 °F, stainless steel, non-linear, without DVGW-proof  
 – Configuration incl. console, coupling and assembly to Actuator \*

Description/Type	Order no.
Gas butterfly valve, stainless steel, DVGW proofed, incl. console and coupling, pre assembled as set, including:	662R24V...

### Set position 1

Description/Type	Order no.
Gas damper, stainless steel for clamping between flanges, permitted up to max. 60 °C / 140 °F, DVGW approved CE-0085AS0134, flow not linear, valve without stop bar, leakage appr. 1 % of Kvs-value 90°, operation pressure: max. 6 bar / 87.02 psi	662R24...

A10 "INTERNAL DIAMETER"			Selection
INTERNAL DIAMETER DN25	0 ... 4 bar, Δ P max. 4 bar 0 ... 58.02 psi, Δ P max. 58.02 psi	PN10 - PN40, ANSI 300 lbs	025
INTERNAL DIAMETER DN32	0 ... 4 bar, Δ P max. 4 bar 0 ... 58.02 psi, Δ P max. 58.02 psi	PN6 - PN40, ANSI 150 lbs, 300 lbs	032
INTERNAL DIAMETER DN40	0 ... 4 bar, Δ P max. 4 bar 0 ... 58.02 psi, Δ P max. 58.02 psi	PN10 - PN40, ANSI 300 lbs	040
INTERNAL DIAMETER DN50	0 ... 4 bar, Δ P max. 4 bar 0 ... 58.02 psi, Δ P max. 58.02 psi	PN10 - PN40, ANSI 300 lbs	050
INTERNAL DIAMETER DN65	0 ... 4 bar, Δ P max. 2 bar 0 ... 58.02 psi, Δ P max. 29.01 psi	PN10 - PN40, ANSI 300 lbs	065
INTERNAL DIAMETER DN80	0 ... 4 bar, Δ P max. 2 bar 0 ... 58.02 psi, Δ P max. 29.01 psi	PN10 - PN40, ANSI 300 lbs	080
INTERNAL DIAMETER DN100	0 ... 4 bar, Δ P max. 2 bar 0 ... 58.02 psi, Δ P max. 29.01 psi	PN10 - PN40, ANSI 150 lbs, 300 lbs	100
INTERNAL DIAMETER DN125	0 ... 4 bar, Δ P max. 1 bar 0 ... 58.02 psi, Δ P max. 14.50 psi	PN10 – PN16, ANSI 150 lbs, 300 lbs	125
INTERNAL DIAMETER DN150	0 ... 4 bar, Δ P max. 1 bar 0 ... 58.02 psi, Δ P max. 14.50 psi	PN10 – PN16, ANSI 150 lbs, 300 lbs	150
INTERNAL DIAMETER DN200	0 ... 4 bar, Δ P max. 1 bar 0 ... 58.02 psi, Δ P max. 14.50 psi	PN10 – PN16, ANSI 150 lbs	200
INTERNAL DIAMETER DN250	0 ... 4 bar, Δ P max. 0.5 bar 0 ... 58.02 psi, Δ P max. 7.25 psi	PN10, ANSI 150 lbs	250
INTERNAL DIAMETER DN300	0 ... 4 bar, Δ P max. 0.3 bar 0 ... 58.02 psi, Δ P max. 4.35 psi	PN6 – PN10	300
INTERNAL DIAMETER DN350	0 ... 4 bar, Δ P max. 0.2 bar 0 ... 58.02 psi, Δ P max. 2.90 psi	PN10 – PN16	350

A20 "REDUCTION"	Selection
WITHOUT REDUCTION	000
REDUCED TO SPECIFICATION BY CUSTOMER	—

# Technical Data Gas Damper 662R24, Stainless Steel

## Set position 2

Description/Type	Order no.
Assembling unit of the valve for actuator	Montage1...
<b>A10 "MOUNTING"</b>	<b>Selection</b>
UP TO DN150, FOR ASSEMBLING TO MOTOR WITH SHAFT $\varnothing$ d=10 mm / 0.39" in AND PARALLEL KEY 3 x 3 mm / 0.12 x 0.12" in **	11
UP TO DN150, FOR ASSEMBLING TO MOTOR WITH SHAFT $\varnothing$ d=12 mm / 0.47" in AND PARALLEL KEY 4 x 4 mm / 0.16 x 0.16" in **	12
FROM DN200, FOR ASSEMBLING TO MOTOR WITH SHAFT $\varnothing$ d=12 mm / 0.47" in AND PARALLEL KEY 4 x 4 mm / 0.16 x 0.16" in **	21
FROM DN200, FOR ASSEMBLING TO MOTOR WITH SHAFT $\varnothing$ d=20 mm / 0.79" in AND PARALLEL KEY 6 x 6 mm / 0.24 x 0.24" in **	22
UP FROM DN200, FOR ASSEMBLING TO MOTOR WITH SHAFT $\varnothing$ =12 mm / 0.47" in AND PARALLEL KEY 4x4 mm / 0.16 x 0.16" in INCL. THERMAL INSULATION ** (if flue gas temperature >100 °C / >212 °F)	25
UP FROM DN200, FOR ASSEMBLING TO MOTOR WITH SHAFT $\varnothing$ =20 mm / 0.79" in AND PARALLEL KEY 6 x 6 mm / 0.24 x 0.24" in INCL. THERMAL INSULATION ** (if flue gas temperature >100 °C / >212 °F)	26
FOR ASSEMBLING TO EX-MOTOR ***	3
FOR ASSEMBLING TO BT-MOTOR ****	4

\* Actuator must be ordered separately, following information are indicative at a difference pressure of 0.1 bar / 1.45 psi:

DN25 ... DN125	→ 6 Nm	Type 662R2127, 668M2006	DN150 ... DN250	→ 20 Nm	Type 662R2111, 668M2020
DN300	→ 30 Nm	Type 662R2112, 668M2040	DN350	→ 40 Nm	Type 662R2121, 668M2040

\*\* Assembly unit for motor type 662R2111 ... 662R2127/668M2006 ... 668M2040

\*\*\* Assembly unit for motor type 662R2140/662R2141

\*\*\*\* Assembly unit for motor type 662R500X-0



The information in this publication is subject to technical changes.

### LAMTEC Meß- und Regeltechnik für Feuerungen GmbH & Co. KG

Josef-Reiert-Straße 26  
D-69190 Walldorf  
Telefon: +49 (0) 6227 6052-0  
Telefax: +49 (0) 6227 6052-57

[info@lamtec.de](mailto:info@lamtec.de)  
[www.lamtec.de](http://www.lamtec.de)

