

Technical Data High Dust Mounting Flange

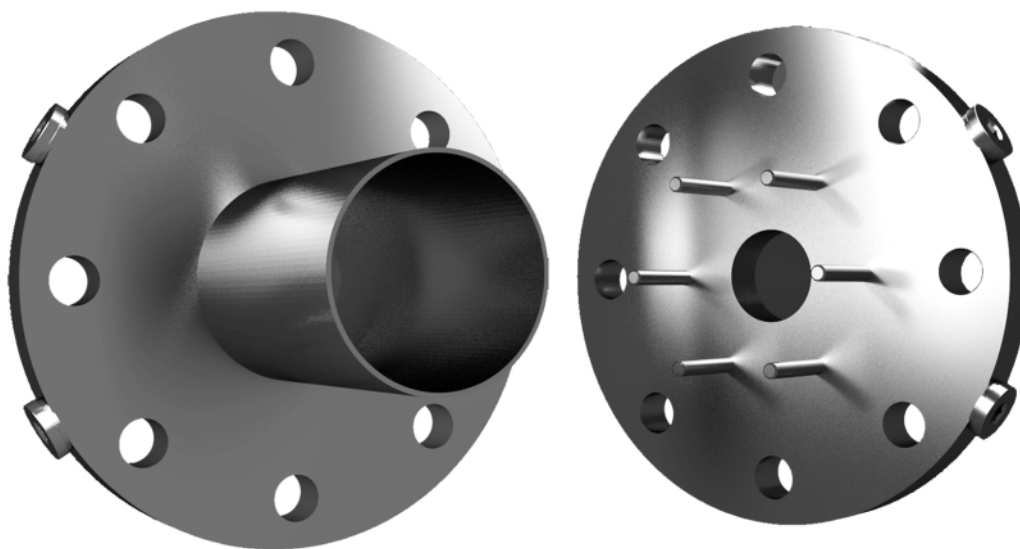


Fig. 1-1 High dust mounting flange SO656R1010 (use only in combination with HT probe (high temperature) in flange housing, for manual purge with compressed air)

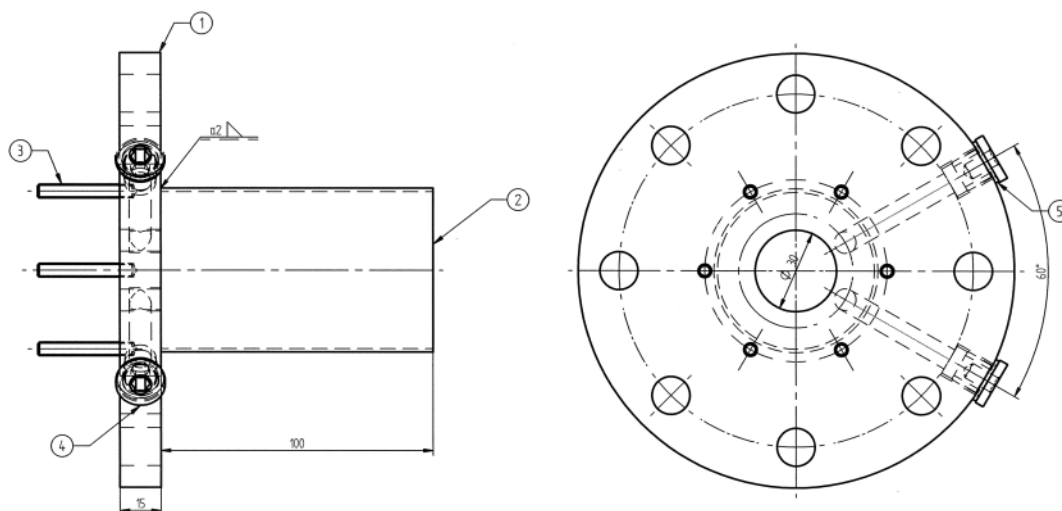


Fig. 1-2 dimensional drawing high dust mounting flange SO656R1010

No.	Description
1	Support flange DN65PN6 for flue gas bypass tube with purge function, material 1.4571
2	Tube 60,3x2,6 mm [2,37x0,102 in], welded, material 1.4571
3	Set screw DIN913 M5x35 A4
4	Compressed air connection optional Gi $\frac{1}{4}$ " , mounting provided by customer, closed at delivery
5	Seal

Technical Data High Dust Mounting Flange

Technical Data

Hole circle	DN65PN6
Material	1.4571
Pneumatic connection	1/4 " Gi
Pre pressure	6 bar [87,02 psi]
Outside diameter flange	160 mm [6,30 in]
Inside diameter tube	60 mm [2,36 in]
Tube length	100 mm [3,93 in]
Total length incl. bolt	128 mm [5,04 in]
Weight	2,25 kg [4,96 lb]

Order Information

Description / Type	Order-no.
High dust mounting flange for manual purging, material 1.4571	SO656R1010

The information in this publication is subject to technical changes.

**LAMTEC Meß- und Regeltechnik
für Feuerungen GmbH & Co. KG**

Wiesenstraße 6

D-69190 Walldorf

Telefon: +49 (0) 6227 6052-0

Telefax: +49 (0) 6227 6052-57

info@lamtec.de
www.lamtec.de

