



System Overview

Burner Control BC400

The burner management system.

Functional description

BC400 is a burner control unit for gas, oil and dual fuel burners. It controls and monitors burners of unlimited capacity in intermittent operation as well as in continuous operation.

The flame can be monitored optionally with an external flame detector with contact output, ionisation electrode or optically with LAMTEC flame scanners FFS07 or FFS08. With the UI400 graphical user interface, the status of the

burner can be determined. Due to the graphical presentation of the states and processes, the interface is language-neutral and easy to understand. Changes to the settings can be made on site with the CMS Remote Software and / or the UI400.

For fault diagnosis, the last 10 faults are stored in the unit. The unit has comprehensive approvals and, therefore, is suitable for worldwide use.

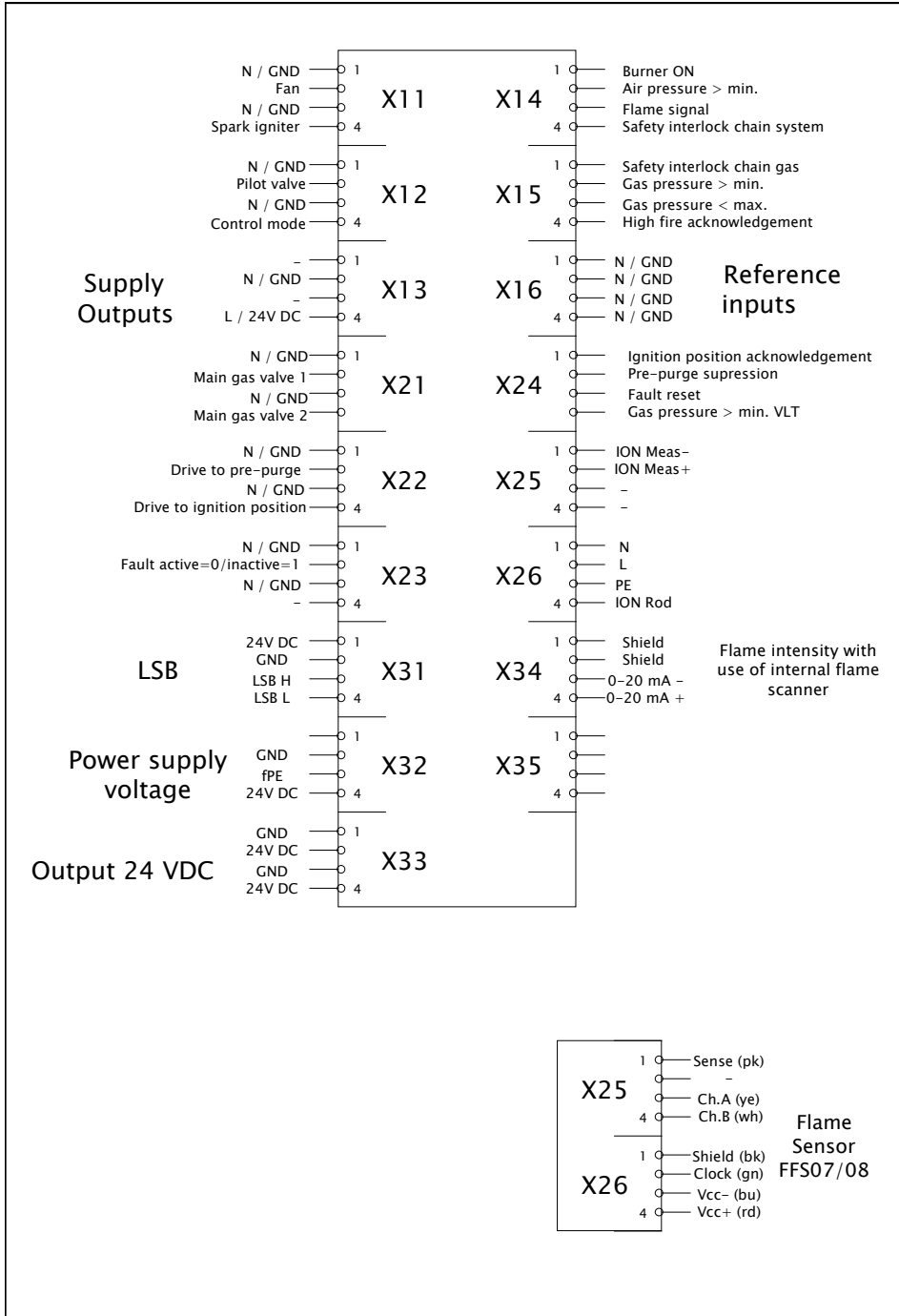


Highlights.

- Burner control unit
- Comes with flame amplifier
- Comes with valve testing system
- 1 version for oil
- 1 version for gas
- 1 version for dual fuel operation
- Different sequences by parameter
- Start with or without pre-purge
- SIL 3
- CE, UL

Terminal assignment BC410.

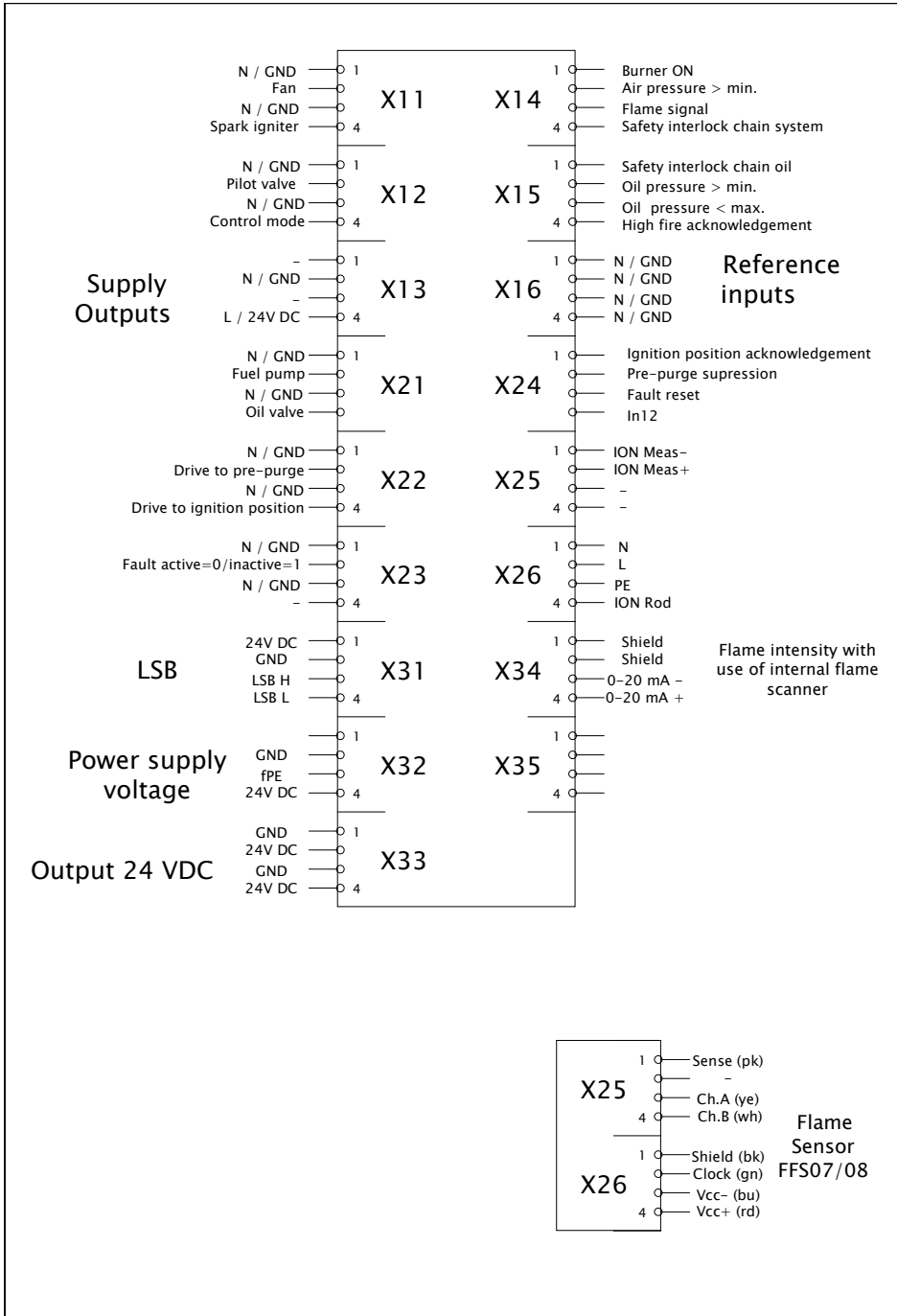
Gas burner control - input / output allocation



* Standard assignment, can be changed via configuration

Terminal assignment BC420.

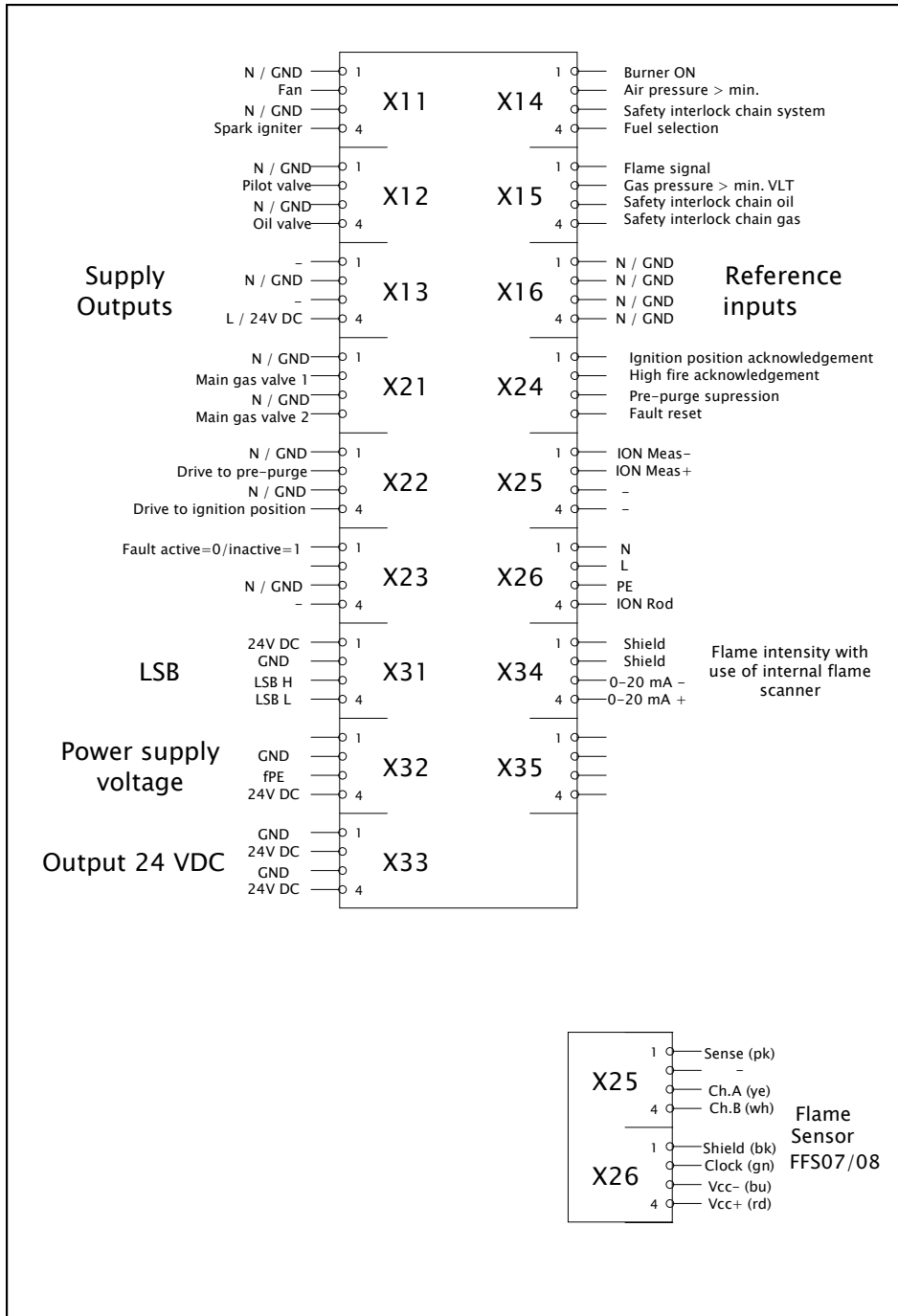
Oil burner control - input / output allocation



* Standard assignment, can be changed via configuration

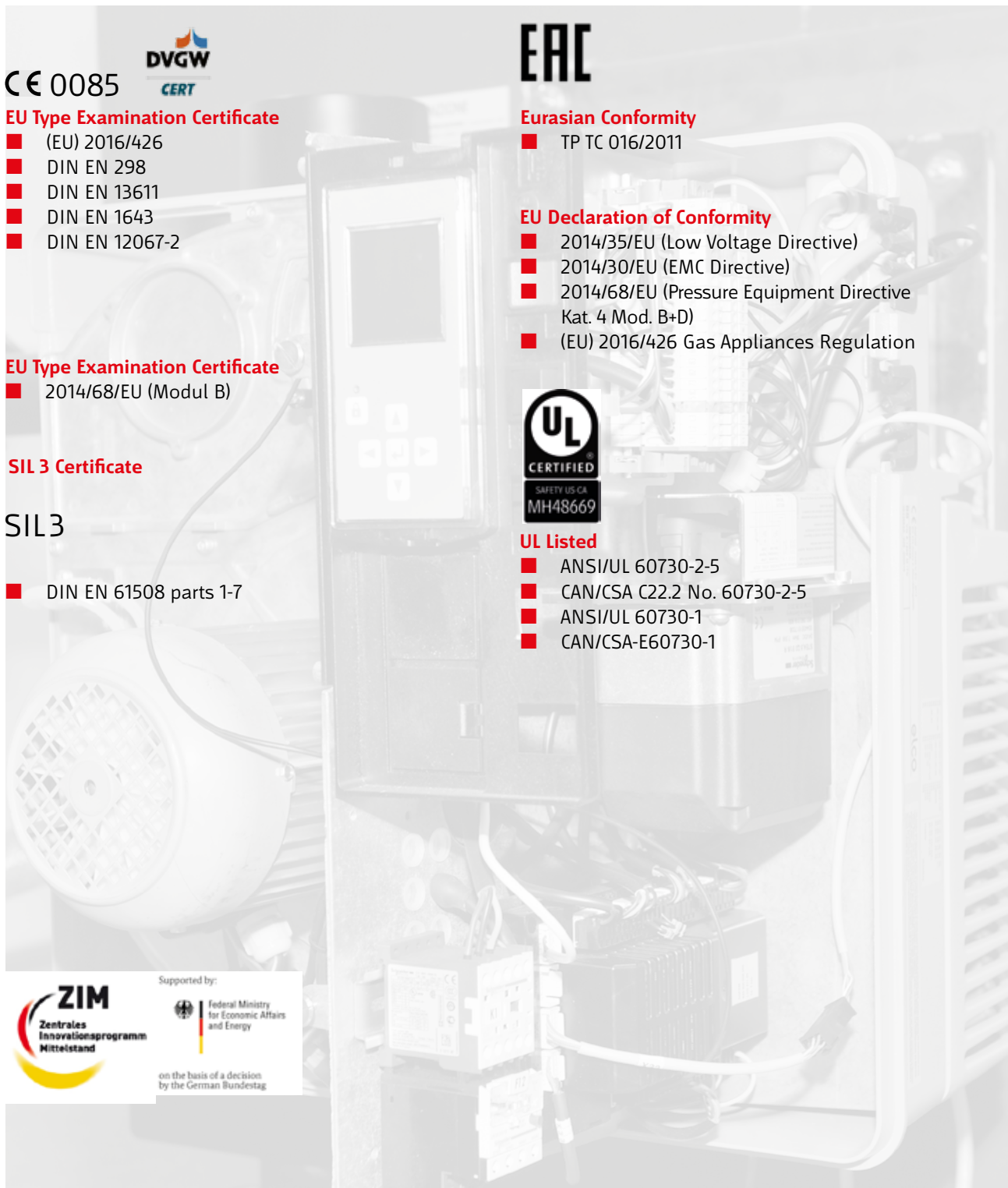
Terminal assignment BC430.


Dual fuel burner control - estimated input / output allocation



* Standard assignment, can be changed via configuration

Approvals*



CE 0085 

EU Type Examination Certificate

- (EU) 2016/426
- DIN EN 298
- DIN EN 13611
- DIN EN 1643
- DIN EN 12067-2

EU Type Examination Certificate

- 2014/68/EU (Modul B)

SIL 3 Certificate

SIL3

- DIN EN 61508 parts 1-7


EAC

Eurasian Conformity


- TP TC 016/2011


EU Declaration of Conformity

- 2014/35/EU (Low Voltage Directive)
- 2014/30/EU (EMC Directive)
- 2014/68/EU (Pressure Equipment Directive Kat. 4 Mod. B+D)
- (EU) 2016/426 Gas Appliances Regulation

 **UL Listed**

- ANSI/UL 60730-2-5
- CAN/CSA C22.2 No. 60730-2-5
- ANSI/UL 60730-1
- CAN/CSA-E60730-1

 **ZIM**
Zentrales Innovationsprogramm Mittelstand

Supported by:
 Federal Ministry for Economic Affairs and Energy

on the basis of a decision by the German Bundestag

* The BC400 is based on LAMTEC CMS System. It carries the same approvals and certificates.



**LAMTEC Meß- und Regeltechnik
für Feuerungen GmbH & Co. KG**

Josef-Reiert-Straße 26
D-69190 Walldorf
Telefon: +49 (0) 6227 6052-0
Telefax: +49 (0) 6227 6052-57

info@lamtec.de

www.lamtec.de

