

Technical Data Gas Damper 662R23

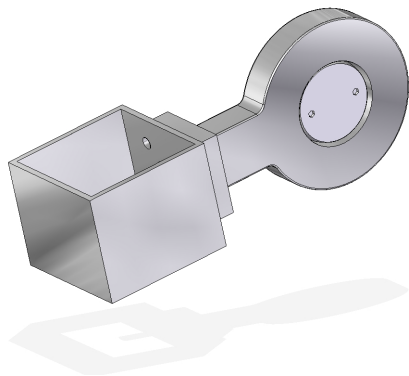


Fig. 1 gas damper with console

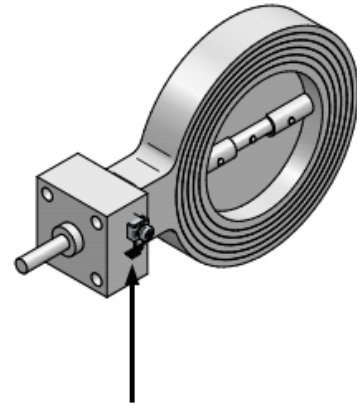


Fig. 2 gas damper with ground terminal for Ex application

Description	Actuator for control without zero flow, in the complete combustion technology
Test specification	type approval according to 90/396/EWG Prod. ID. No. CE-0085-AR0408 DIN 3394-1 Class R _O DIN 3391 (for medium temperature of: -20 ... +60 °C / -4 ... +140 °F)
Operating pressure	0 to 4 bar
Type of control	for electrical actuators
Mounting position	optional
Design	butterfly disc without limit-stop
Differential pressure delta P _{max.}	DN25-DN50 4 bar DN65-DN100 2 bar
Leakage rate without stop bar	1 % of K _{VS} -value 90°
Mounting	intermediate flange butterfly - clamp design
Explosion protection	the gas damper is not covered by the directive 2014/34/EU, because with the loads occurring in practice, no effective ignition source occurs even in the event of a fault. The damper must be grounded.

Gas Damper 662R23	
Housing material	grey cast iron
Material control disk / shaft	stainless steel
Shaft seal	NBR- O-ring

Environmental Conditions

Operation	permissible temperature range	-20 ... +60 °C / -4 ... 140 °F
Storage/Transport	permissible temperature range	-20 ... +60 °C / -4 ... 140 °F

Environmental Conditions Gas Damper 662R23V

Ambient Temperature	permissible temperature range	-20 ... +60 °C / -4 ... +140 °F
Medium	gases of 1 st , 2 nd and 3 rd gas families and air	
Flow Rate	non-linear	

Technical Data Gas Damper 662R23

NOTICE

The limits of the technical data must be strictly adhered to.

NOTICE

The gas damper is not suitable for pure hydrogen (> 98 %) or pure oxygen.

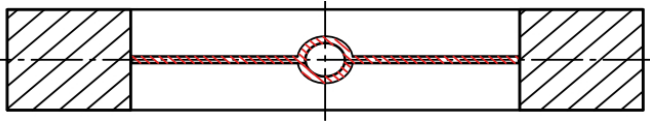


Fig. 3 Butterfly disc (non-linear flow rate)

Suitable pressure stages:	DN25 - DN80	PN10 - PN40, ANSI 300 lbs
	DN100	PN10 - PN40, ANSI 150 lbs, 300 lbs
	DN125 - DN150	PN10 - PN16, ANSI 150 lbs, 300 lbs
	DN200	PN10 - PN16, ANSI 150 lbs
	DN250	PN10, ANSI 150 lbs
	DN300	PN6 - PN10
	DN350 - DN400	PN6 - PN16

Technical Data Gas Damper 662R23

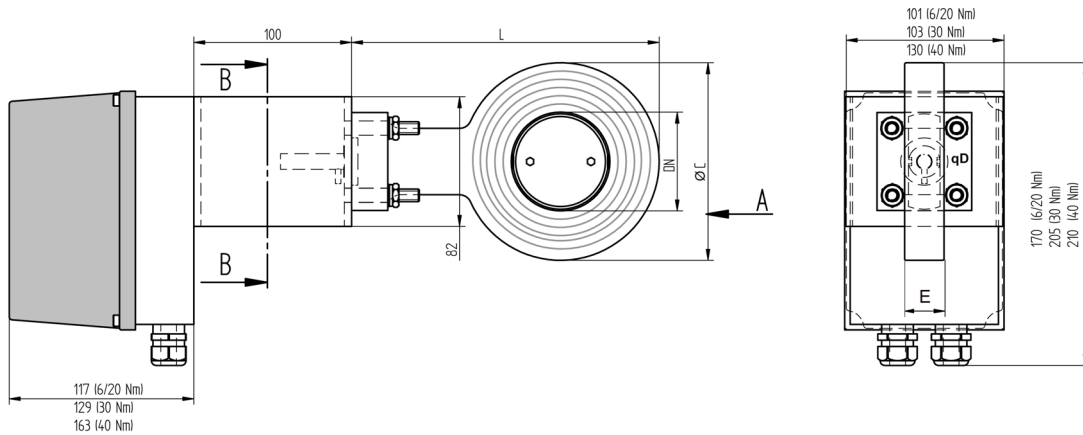


Fig. 4 Butterfly valve with console and coupling mounted on actuator controlled by ETAMATIC/FMS/VMS

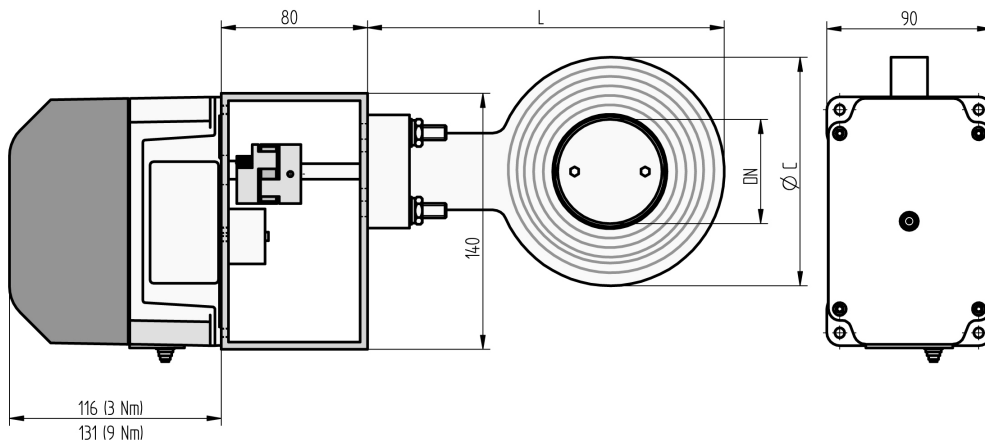


Fig. 5 Butterfly valve with console and coupling mounted on a motor controlled by BT300

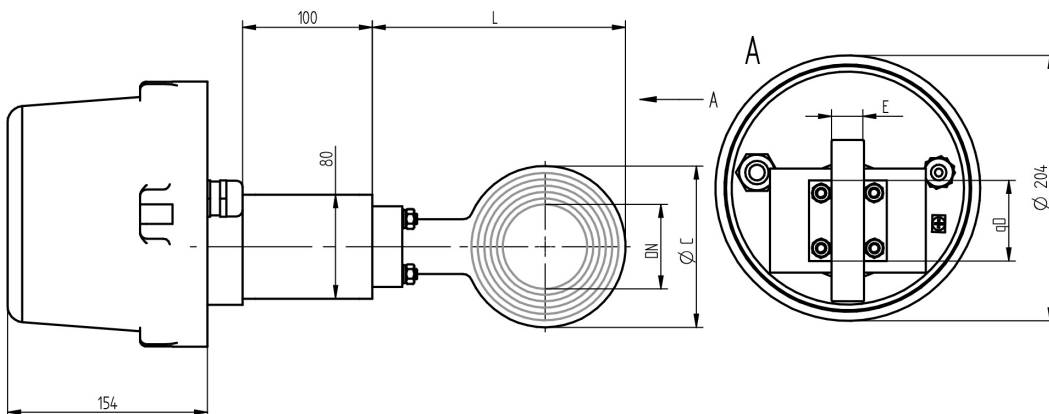


Fig. 6 Butterfly valve with console and coupling mounted on Ex-actuator controlled by ETAMATIC/FMS/VMS

Technical Data Gas Damper 662R23

Non-linear type standard	DN	L	∅ C	q D	E	weight in kg
662R23V/025/000	25=32	153	70	60	25	2.2
662R23V/032/000	32	153	70	60	25	2.2
662R23V/040/000	40	166	90	60	25	2.5
662R23V/050/000	50	183	104	60	25	2.7
662R23V/065/000	65	195	124	60	25	3.1
662R23V/080/000	80	211	139	60	30	3.8
662R23V/100/000	100	231	161	60	30	4.4
662R23V/125/000	125	258	191	60	35	5.9
662R23V/150/000	150	283	214	60	35	6.3
662R23V/200/000	200	344	270	80	40	12.7
662R23V/250/000	250	394	320	80	40	13.7
662R23V/300/000	300	444	370	80	45	16.2
662R23V/350/000	350	523	428	80	45	27.7
662R23V/400/000	400	561	465	80	45	39

All mentioned nominal diameters are available with reduction!

Ordering example for reduction DN100 to DN80: 662R23V/100/080

Technical Data Gas Damper 662R23

Order Information

**Gas damper, up to 60 °C / 140 °F, DVGW proofed, non-linear
– Configuration incl. console, coupling and assembly to Actuator ***

Description/Type	Order no.
Gas damper, DVGW proofed, incl. console and coupling, pre assembled as set, including:	662R23V...

Set position 1

Description/type	Order no.
Gasdamper for clamping between flanges, permitted up to max. 60 °C / 140 °F, DVGW approved CE-0085AS0134, flow not linear, valve without stop bar, leakage appr. 1 % of Kvs-value 90°, Operation pressure: max. 6 bar / 87.02 psi	662R23...

A10 "INTERNAL DIAMETER"			Selection
INTERNAL DIAMETER DN15	0 ... 4 bar, Δ P max. 4 bar 0 ... 58.02 psi, Δ P max. 58.02 psi	PN10 - PN40, ANSI 300 lbs	015
INTERNAL DIAMETER DN20	0 ... 4 bar, Δ P max. 4 bar 0 ... 58.02 psi, Δ P max. 58.02 psi	PN6 - PN40, ANSI 150 lbs, 300 lbs	020
INTERNAL DIAMETER DN25	0 ... 4 bar, Δ P max. 4 bar 0 ... 58.02 psi, Δ P max. 58.02 psi	PN10 - PN40, ANSI 300 lbs	025
INTERNAL DIAMETER DN32	0 ... 4 bar, Δ P max. 4 bar 0 ... 58.02 psi, Δ P max. 58.02 psi	PN6 - PN40, ANSI 150 lbs, 300 lbs	032
INTERNAL DIAMETER DN40	0 ... 4 bar, Δ P max. 4 bar 0 ... 58.02 psi, Δ P max. 58.02 psi	PN10 - PN40, ANSI 300 lbs	040
INTERNAL DIAMETER DN50	0 ... 4 bar, Δ P max. 4 bar 0 ... 58.02 psi, Δ P max. 58.02 psi	PN10 - PN40, ANSI 300 lbs	050
INTERNAL DIAMETER DN65	0 ... 4 bar, Δ P max. 2 bar 0 ... 58.02 psi, Δ P max. 29.01 psi	PN10 - PN40, ANSI 300 lbs	065
INTERNAL DIAMETER DN80	0 ... 4 bar, Δ P max. 2 bar 0 ... 58.02 psi, Δ P max. 29.01 psi	PN10 - PN40, ANSI 300 lbs	080
INTERNAL DIAMETER DN100	0 ... 4 bar, Δ P max. 2 bar 0 ... 58.02 psi, Δ P max. 29.01 psi	PN10 - PN40, ANSI 150 lbs, 300 lbs	100
INTERNAL DIAMETER DN125	0 ... 4 bar, Δ P max. 1 bar 0 ... 58.02 psi, Δ P max. 14.50 psi	PN10 – PN16, ANSI 150 lbs, 300 lbs	125
INTERNAL DIAMETER DN150	0 ... 4 bar, Δ P max. 1 bar 0 ... 58.02 psi, Δ P max. 14.50 psi	PN10 – PN16, ANSI 150 lbs, 300 lbs	150
INTERNAL DIAMETER DN200	0 ... 4 bar, Δ P max. 1 bar 0 ... 58.02 psi, Δ P max. 14.50 psi	PN10 – PN16, ANSI 150 lbs	200
INTERNAL DIAMETER DN250	0 ... 4 bar, Δ P max. 0.5 bar 0 ... 58.02 psi, Δ P max. 7.25 psi	PN10, ANSI 150 lbs	250
INTERNAL DIAMETER DN300	0 ... 4 bar, Δ P max. 0.3 bar 0 ... 58.02 psi, Δ P max. 4.35 psi	PN6 – PN10	300
INTERNAL DIAMETER DN350	0 ... 4 bar, Δ P max. 0.2 bar 0 ... 58.02 psi, Δ P max. 2.90 psi	PN10 – PN16	350
INTERNAL DIAMETER DN400	0 ... 4 bar, Δ P max. 0.15 bar 0 ... 58.02 psi, Δ P max. 2.18 psi	PN6 – PN16	400

A20 "REDUCTION"	Selection
WITHOUT REDUCTION	000
REDUCED TO SPECIFICATION BY CUSTOMER	—

A99 "SPECIAL CONFIGURATION"	Selection
SPECIFICATION BY CUSTOMER	—

Technical Data Gas Damper 662R23

Set position 2

Description/type	Order no.
Assembling unit of the valve for actuator	Montage1...
A10 "MOUNTING"	Selection
UP TO DN150, FOR ASSEMBLING TO MOTOR WITH SHAFT \varnothing d=10 mm / 0.39" in AND PARALLEL KEY 3 x 3 mm / 0.12 x 0.12" in **	11
UP TO DN150, FOR ASSEMBLING TO MOTOR WITH SHAFT \varnothing d=12 mm / 0.47" in AND PARALLEL KEY 4 x 4 mm / 0.16 x 0.16" in **	12
FROM DN200, FOR ASSEMBLING TO MOTOR WITH SHAFT \varnothing d=12 mm / 0.47" in AND PARALLEL KEY 4 x 4 mm / 0.16 x 0.16" in **	21
FROM DN200, FOR ASSEMBLING TO MOTOR WITH SHAFT \varnothing d=20 mm / 0.79" in AND PARALLEL KEY 6 x 6 mm / 0.24 x 0.24" in **	22
UP FROM DN200, FOR ASSEMBLING TO MOTOR WITH SHAFT \varnothing =12 mm / 0.47" in AND PARALLEL KEY 4x4 mm / 0.16 x 0.16" in INCL. THERMAL INSULATION ** (if flue gas temperature >100 °C / >212 °F)	25
UP FROM DN200, FOR ASSEMBLING TO MOTOR WITH SHAFT \varnothing =20 mm / 0.79" in AND PARALLEL KEY 6 x 6 mm / 0.24 x 0.24" in INCL. THERMAL INSULATION ** (if flue gas temperature >100 °C / >212 °F)	26
FOR ASSEMBLING TO EX-MOTOR ***	3
FOR ASSEMBLING TO BT-MOTOR ****	4

- * Actuator must be ordered separately, following information are indicative at a difference pressure of 0.1 bar / 1.45 psi:
- | | | | | | |
|----------------|---------|-------------------------|-----------------|---------|-------------------------|
| DN25 ... DN125 | → 6 Nm | type 662R2127, 668M2006 | DN150 ... DN250 | → 20 Nm | type 662R2111, 668M2020 |
| DN300 | → 30 Nm | type 662R2112, 668M2040 | DN350 | → 40 Nm | type 662R2121, 668M2040 |
- ** Assembly unit for actuator type 662R2111 ... 662R2127/668M2006 ... 668M2040
- *** Assembly unit for actuator type 662R2140/662R2141
- **** Assembly unit for actuator type 662R500X-0



The information in this publication is subject to technical changes.



LAMTEC Meß- und Regeltechnik für Feuerungen GmbH & Co. KG

Josef-Reiert-Straße 26
D-69190 Walldorf
Telefon: +49 (0) 6227 6052-0
Telefax: +49 (0) 6227 6052-57

info@lamtec.de
www.lamtec.de

