

Technical Data NO_x Transmitter NT1



Fig. 1 NO_x Transmitter NT1

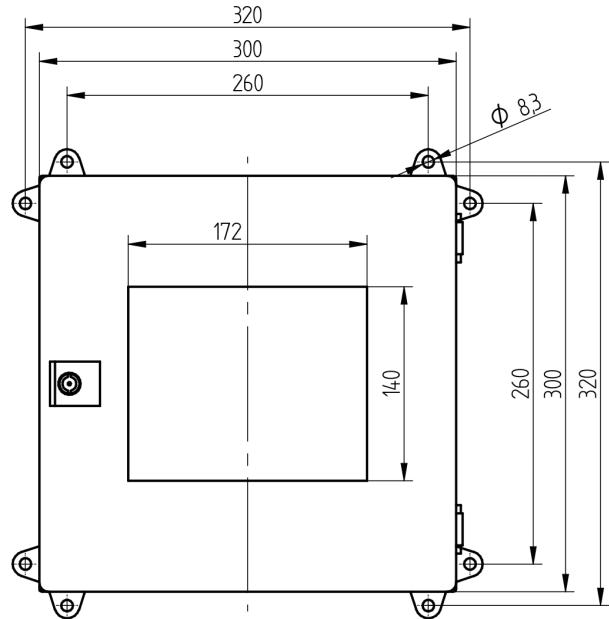


Fig. 2 Dimensional drawing NO_x Transmitter NT1

NO_x Transmitter NT1	
Housing	Mounting house of sheet steel, powder-coated
Dimensions (HxWxD)	300x300x150 mm / 11.81" x 11.81" x 5.91" in
Colour	Light grey RAL 7035
Weight	approx. 7.6 kg / 16.76 lb (depending on the equipment)
Control elements	144.78 mm / 5.7" industrial touch screen display VGA (640 x 480)

Characteristics	
Power supply	120 VAC / -25 % ... 230 VAC / +15 %, 50 ... 60 HZ Use only in earthed networks!
Power consumption	for 2 connected sensors: 42 W / 0.22 A at 20 °C / 68 °F; 72 W/1.23 A during heating-up phase for 4 connected sensors: 72 W / 0.35 A at 20 °C / 68 °F; 150 W/1.23 A during heating-up phase max. 250 W/1.23 A
Resolution	O ₂ : 0,1 Vol. % NO _x : 1 ppm bzw. mg/Nm ³
Time for operational readiness	In case of initial start-up of the probe 60 minutes, otherwise about 10 minutes after MAINS ON.

Technical Data NO_x Transmitter NT1

LAMTEC SYSTEM BUS (LSB)

Direct communication with LAMTEC burner control units	Transmission of measured values, warning and fault messages, receiving commands
---	---

Analogue outputs

Analogue output (up to 2 modules)	4 outputs each sensor ± 10 V or 0/4 ... 20 mA, 13 Bit converter resolution load max. 600 W output setting range for each sensor: O ₂ : 0 ... 25,0 Vol.% → 4 ... 20 mA NO _x : 0 ... 3.100 ppm bzw. 0 ... 6.374 mg/Nm ³ → 4 ... 20 mA
-----------------------------------	---

Digital outputs

Digital outputs (up to 2 modules)	6 relay each module (switch NO floating); max. switching voltage 240 VAC/2 A or 30 VDC/2 A (individual customizable)
-----------------------------------	---

Connection

Electrical Connection	Terminal block with Push-in-connection, max. 2,5 mm ² / 13 AWG Shield support via EMV-cable gland M16, \varnothing 5-9 mm / 0.2-0.35 "in
Recommended cable length	max. 40 m / 131.23 ft to the probe
Recommended connection cable	5x0,75 mm ² / 10x18 AWG, shielded

Operating Conditions

Relative humidity	0 % ... 100 %
Installation height	< 2,000 m / 6,561.68 ft above sea level

Environmental Conditions

Operation	perm. temperature range	0 ... +50 °C / +32 ... +122 °F
Transport	perm. temperature range	-20 ... +70 °C / -4 ... +158 °F
Storage	perm. temperature range	-20 ... +70 °C / -4 ... +158 °F
Degree of protection	according to DIN EN 40050	IP65
CE Declaration of Conformity	2014/35/EU	Low Voltage Directive
	2014/30/EU	EMC Directive
	2011/65/EU	RoHS Directive

NOTICE

The limits of the technical data must be strictly adhered to.

Technical Data NO_x Transmitter NT1

Order Information

Description / Type	Order no.
NO _x Transmitter NT1 in wall mounting housing, max. one probe, incl. LSB	657R60
NO _x Transmitter NT1 in wall mounting housing, max. 2 probes, without LSB	657R62-0
NO _x Transmitter NT1 in wall mounting housing, max. 4 probes, without LSB	657R64-0

The information in this publication is subject to technical changes.



**LAMTEC Meß- und Regeltechnik
für Feuerungen GmbH & Co. KG**

Josef-Reiert-Straße 26

D-69190 Walldorf

Telefon: +49 (0) 6227 6052-0

Telefax: +49 (0) 6227 6052-57

info@lamtec.de
www.lamtec.de

