

Technical Data EExd Housing for Lambda Transmitter LT2



Fig. 1 EExd housing for LT2 for installation within the hazardous area - Fig. 2 Back view EExd housing

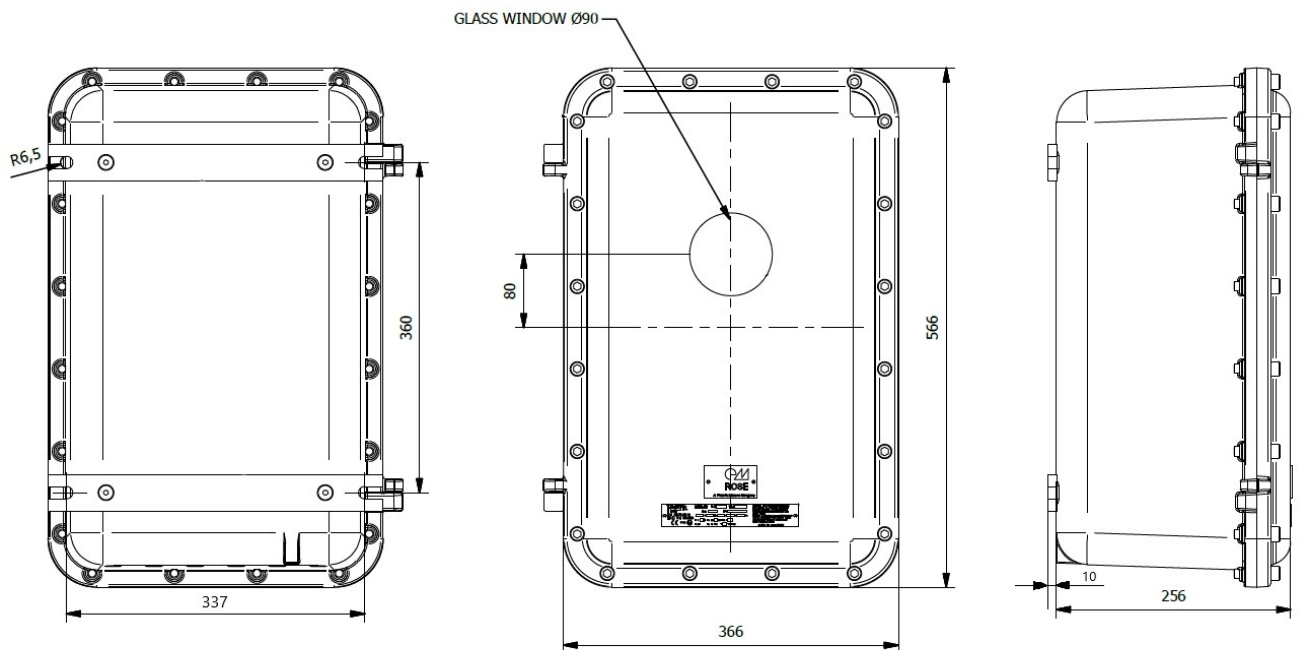


Fig. 3 Dimensional drawing EExd housing for LT2

EExd Housing for LT2

Housing	cast aluminium, powder-coated
Dimensions (H x W x D)	566 x 388 x 256 mm / 22.28 x 15.28 x 10.08" in
Colour	RAL 7035 light grey
Weight	approx. 40 kg / 88.18 lb
Control elements	inspection window, 9 operation keys

Technical Data EExd Housing for Lambda Transmitter LT2

Environmental Conditions EExd Housing for LT2

Operation	perm. temperature range	-20 ... +60 °C / -4 ... +140 °F
Transport	perm. temperature range	-40 ... +85 °C / -40 ... +185 °F
Storage	perm. temperature range	-40 ... +85 °C / -40 ... +185 °F
Degree of protection	according to DIN 40050	IP66
Explosion protection	marking according to ATEX: ⚠ II 2G Ex d IIB+H2 T5 Gb ⚠ II 2D Ex tb IIIC T100°C Db marking according to IECEx: Ex II 2G Ex d IIB+H2 T5 Gb Ex II 2D Ex tb IIIC T100°C Db	
CE Declaration of Conformity	2014/35/EU	Low Voltage Directive
	2014/30/EU	EMC Directive
	2009/142/EC	Gas Appliance Directive
	94/9/EG ATEX	Directive in the corrected version of 10.10.96

Technical Data EExd Housing for Lambda Transmitter LT2

Order Information

EExd Housing according to ATEX, IP66

LT2 must be ordered separately, order number 657R102...

Description / Type	Order no.
Exd IIB housing with window 380 x 560 x 245 mm / 14.96 x 22.05 x 9.65 "in (W x H x D), EX-area 1 and 2, with operating keys and main switch	657R0165BD



The information in this publication is subject to technical changes.



LAMTEC Meß- und Regeltechnik für Feuerungen GmbH & Co. KG

Josef-Reiert-Straße 26

D-69190 Walldorf

Telefon: +49 (0) 6227 6052-0

Telefax: +49 (0) 6227 6052-57

info@lamtec.de
www.lamtec.de

