

Technical Data SDI



Fig. 1 SDI photo

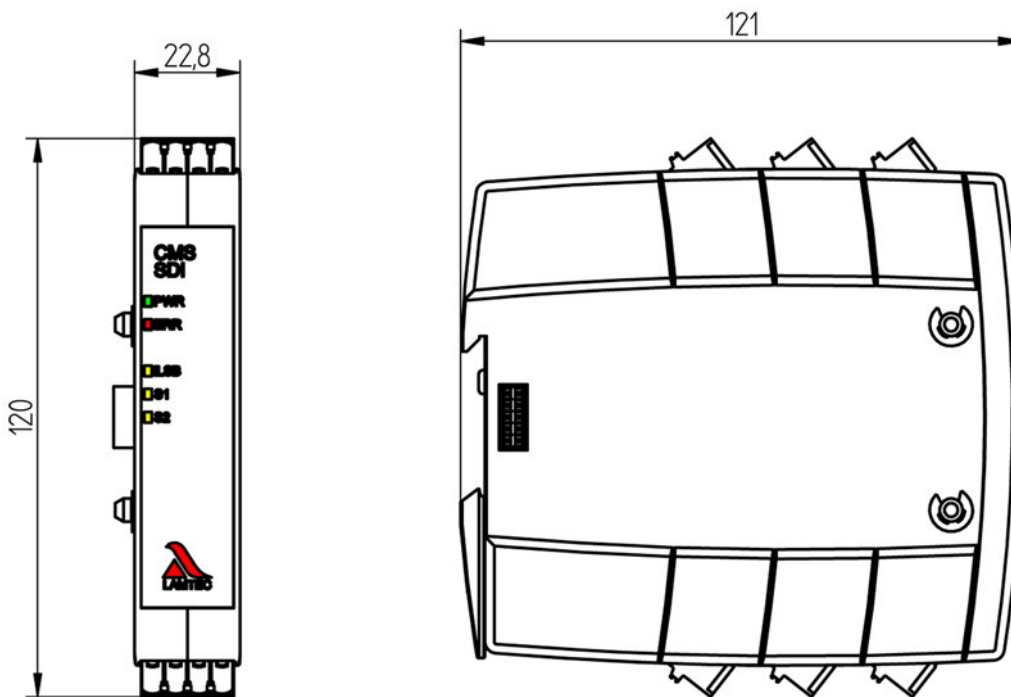


Fig. 2 SDI dimensional drawing

Part number

SDI Safe Digital Input component

Type 668R0400-XX

* XX = depends on configuration

Technical Data SDI

Technical Data SDI	
Dimensions (h x w x d)	120 x 22.8 x 121 mm 4.72 x 0.90 x 4.76" in
Weight	0,140 kg 0,31 lb
Power supply voltage	24 VDC \pm 20 % (by internal connecting plugs from MCC)
Current draw	min: 40 mA max: 45 mA
Power consumption	1.5 W max.
Flammability	UL94 V-0

Digital Signal inputs			
	24 VDC	120 VAC	230 VAC
Nominal current	2,1 mA impedance 11 k Ω	2,1 mA impedance 57 k Ω	2,3 mA impedance 100 k Ω
Due to the low inrush currents of the CMS, we recommend using appropriate contact material, e.g. gold-plated silver contacts or wiring the encoder contacts accordingly.			
Signal ON (min)	0,55 mA \triangleq 6,9 VDC	0,97 mA \triangleq 56 VAC	0,78 mA \triangleq 77 VAC
Signal OFF (max)	0,27 mA \triangleq 4 VDC	0,35 mA \triangleq 21 VAC	0,35 mA \triangleq 36 VAC
Cable length	max. 200 m		

Environmental Conditions		
Operation	permitted temperature range	-30 ... +70 °C -22 ... +158 °F (condensation prohibited)
	permitted humidity	5 % ... 95 % relative humidity
Transport/Storage	permitted temperature range	-40 ... +80 °C -40 ... +176 °F (condensation prohibited)
	permitted humidity	5 % ... 95 % relative humidity
Degree of protection	DIN EN 60529	IP20 (as long as all terminals are mounted)

EU Declaration of Conformity	
2014/35/EU	Low Voltage Directive
2014/30/EU	EMC Directive
2014/68/EU	Pressure Equipment Directive Kat. 4 Mod. B+D
(EU) 2016/426	Gas Appliance Regulation (GAR)
2011/65/EU	RoHS

NOTICE

The limits of the technical data must be strictly adhered to.

Technical Data SDI

Order Information

Description/Type	Order no. - selection
SDI Safe Digital Input Component, power supply 24 VDC/1,1 W Module with 8 safety digital inputs	668R0400...
A 10 – CONTACTOR VOLTAGE DIGITAL INPUT	Selection
120 VAC	120VAC
230 VAC	230VAC
24 VDC	24VDC
A 20 – CUSTOMER	Selection
STANDARD	S
A 30 – COLOR	Selection
BLACK (STANDARD)	SW
A 40 – CONNECTOR SET	Selection
SCREW TERMINALS Connector set included	SC
SPRING TERMINALS Connector set included	FED
WITHOUT Connector set not included, must be ordered separately, see „Separate Connector Sets for SDI“	0

Separate connector sets for SDI

when attribute 40 „CONNECTOR SET“ = selection „0“

Description/Type	Order no.
Screw Terminals SDI Contactor Voltage Digital Input 120/230 VAC	668R0088
Screw Terminals SDI Contactor Voltage Digital Input 24 VDC	668R0089
Spring Terminals SDI Contactor Voltage Digital Input 120/230 VAC	668R0098
Spring Terminals SDI Contactor Voltage Digital Input 24 VDC	668R0099

Approvals



The information in this publication is subject to technical changes.

LAMTEC Meß- und Regeltechnik für Feuerungen GmbH & Co. KG

Josef-Reiert-Straße 26

D-69190 Walldorf

Telefon: +49 (0) 6227 6052-0

Telefax: +49 (0) 6227 6052-57

info@lamtec.de

www.lamtec.de

