

Technical Data Graphic Customer Interface GKI300



Fig. 1 Views GKI300

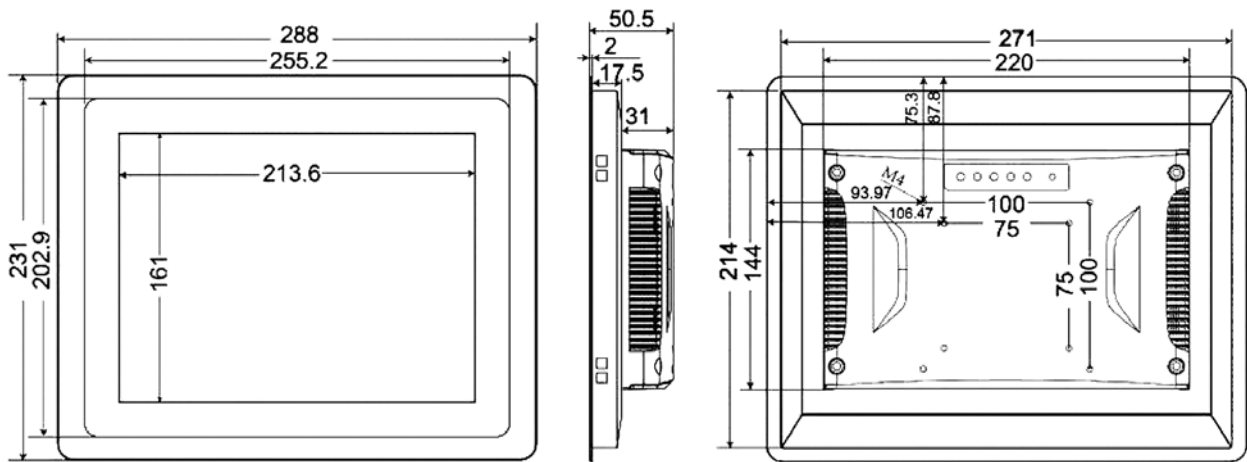


Fig. 2 Dimensions GKI300

Technical Data Graphic Customer Interface GKI300

Display (only valid for the 10,4" standard version of the GKI)

LCD size	10.4"
Max. resolution	1024 x 768 pixels
Touch screen	PCAP 10-point / Hardness: 7 Mohs / Transparency: 90 % (± 3 %) (optional: resistive or without Touch)
Ethernet	1x Gigabit-LAN, 1x RJ45
I/O Interfaces	1x VGA, 1x HDMI, 2x USB2.0, 1x COM, Line-in, Line-out, WiFi
Expansion slots	2x mPCIe (1 of which taken by wireless module)
Mounting	Panel, Wall, Desktop, VESA 75 / VESA 100
Dimensions (H x W x D)	288 x 231 x 50.5 mm / 11.34" x 9.09" x 1,98" in
Weight	3.5 kg / 7.72 lb
Material Housing and Front frame	aluminium

CPU (processor)	Intel® Celeron® J1900, Quad-Core to 2.0 GHz, 2 MB Smart Cache
Memory	2 GB 1333 MHz DDR3L
Hard disk	32 GB SSD
Graphics	Integrated Intel® HD Graphics
Operating system	Windows® 10
Power supply	12 VDC , AC 110-240 V, 50/60 Hz

Accessories

Desktop stand	For desktop application
---------------	-------------------------

Environmental Conditions

Operation	permissible temperature range	-10 °C ... +60 °C / -14 °F ... +140 °F
Transport	permissible temperature range	-40 °C ... +85 °C / -40 °F ... +185 °F
Storage	permissible temperature range	-40 °C ... +85 °C / -40 °F ... +185 °F
Degree of protection	DIN EN 60529	front IP65 for control cabinet mounting

NOTICE

The limits of the technical data must be strictly adhered to.

Technical Data Graphic Customer Interface GKI300

Order Information

Graphical Customer Interface local

Description / Type	Order-no.
Graphical customer interface GKI300 for panel mounting, including: - Graphical customer interface, installed on 10" Touch screen panel PC, incl. power supply unit - Panel mounting kit Additional required: LSB data module, order no. 663R0408 or 663R0411 and cross over cable order no. 663R0105	663R9061T
Graphical customer interface GKI300 for wall mounting, including: - Graphical customer interface, installed on 10" Touch screen panel PC, incl. power supply unit - Wall mounting kit Additional required: LSB data module, order no. 663R0408 or 663R0411 and cross over cable order no. 663R0105	663R9061W
GKI300-Software on CD for PC installation on customers side Requirements: Display resolution min. 800x600 Pixel, Java Additional required: LSB data module, order no. 663R0408 or 663R0411 and cross over cable order no. 663R0105	663R9046

Accessories

Description / Type	Order-no.
LSB data module VISIOCONTROL/GKI300 without I/O-interfaces, without connecting cable - (one module is necessary for each FMS/VMS/ETAMATIC) Additional required: for FMS / VMS → communication processor board for LSB-interface, order no. 663P0401 or for ETAMATIC → LSB-connecting cable, order no. 663R0421N or for BT300 → LCM-Module & connecting cable, order no. 667R0500-1 & 667P0515	663R0411
Cross over connecting cable F/UTP, Cat 5e, red, length 2 m / 6.6 ft	663R0105
DIN rail power supply unit 85...264VAC / 12VDC, 40 Watt	663R9047

Spare parts

Description / Type	Order-no.
Power supply unit for GKI300	663R9044
SSD hard disc 64GB for GKI300	663E9061

The information in this publication is subject to technical changes.



**LAMTEC Meß- und Regeltechnik
für Feuerungen GmbH & Co. KG**

Josef-Reiert-Straße 26

D-69190 Walldorf

Telefon: +49 (0) 6227 6052-0

Telefax: +49 (0) 6227 6052-57

info@lamtec.de

www.lamtec.de

