

# Technical Data fully automatic calibration system for KS1D-HT with LT2

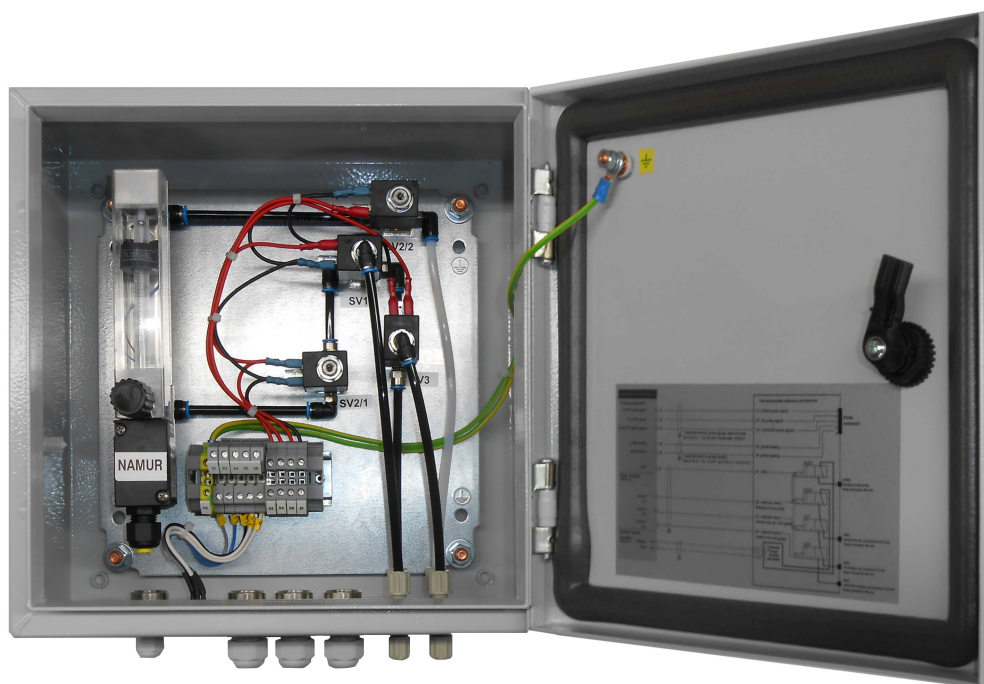


Fig. 1 Fully automatic calibration system in wall mounting housing

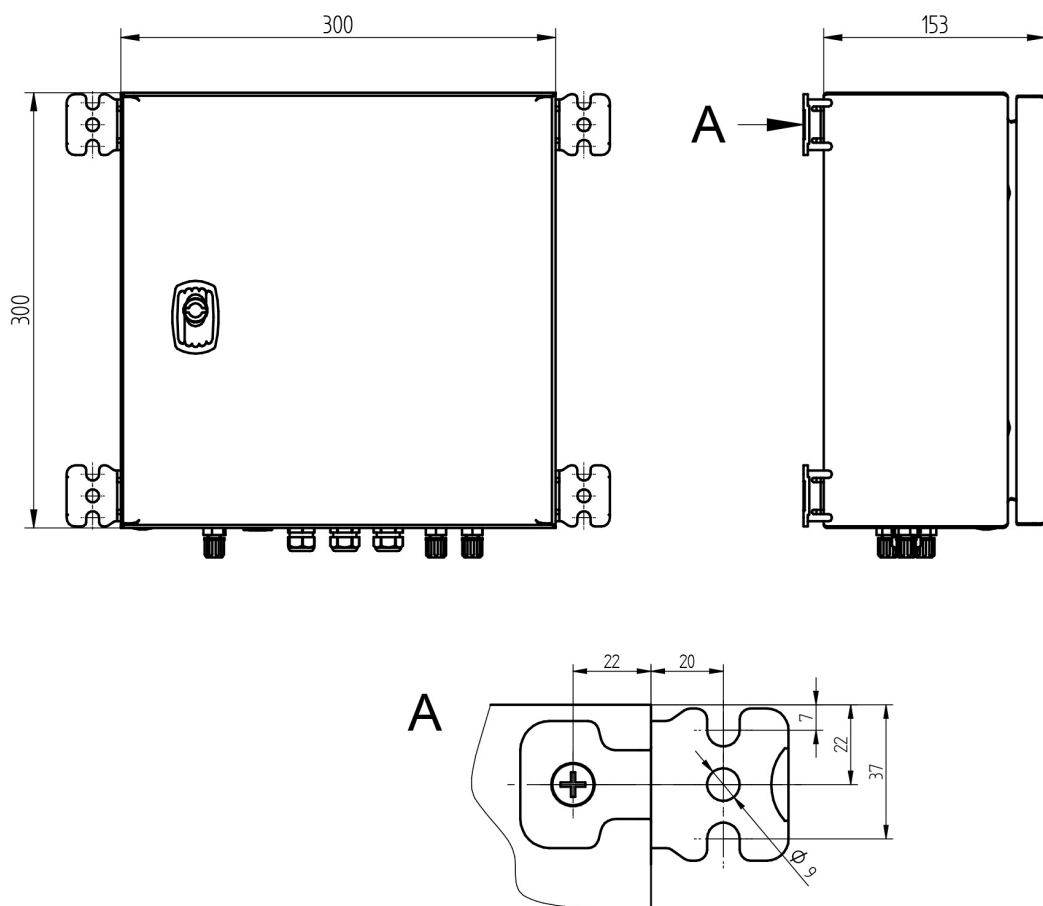


Fig. 2 Dimensional drawing fully automatic calibration system in wall mounting housing

## Technical Data fully automatic calibration system for KS1D-HT with LT2

### Technical Data

Housing	housing in sheet steel, powder-coated
Dimensions (HxWxD)	300x300x150 mm / 11.81"x11.81"x5.91" in
Colour	RAL 7035 light grey
Weight	6.3 kg / 13.89 lb

### Features

Power supply	24 VDC from relay module LT2
Power consumption	max. 33 VA short-term 45 VA (during switching of the solenoid valves)
Pneumatic supply	Test gas O <sub>2</sub> calibration 3 Vol.% O <sub>2</sub> , rest N <sub>2</sub> pre pressure 0,3 bar Test gas CO <sub>e</sub> calibration 3 Vol.% O <sub>2</sub> , 200 ppm CO, 100 ppm H <sub>2</sub> rest N <sub>2</sub> pre pressure 0,3 bar instrument air offset calibration class 1 or 2 according to ISO8573.1 pre pressure 0,3 bar

### Environmental conditions

<b>Operation</b>	permissible temperature range	-5 ... +60 °C / +23 ... +140 °F
<b>Transport</b>	permissible temperature range	-20 ... +85 °C / -4 ... +185 °F
<b>Storage</b>	permissible temperature range	-20 ... +85 °C / -4 ... +185 °F
<b>Degree of protection</b>	according DIN EN 60529	IP66

# Technical Data fully automatic calibration system for KS1D-HT with LT2

## Order Information

Description/Type	Order no.
Fully automatic calibration unit for KS1D-HT in conjunction with LT2	657R0940

### Accessories

Description/Type	Order no.
Hose PTFE 6/4 mm, natural - per meter	650P0707

### Spare Parts

Description/Type	Order no..
Flow meter 6-60 NI/h, with NAMUR limit signal, for probe connection unit of the Ex-probes	657R0070
3/2 Solenoid valve 31JBMWOB12-LBA05024CS 24 VDC directly controlled	657P0862
Connection M5-6 QSM-M5-6	657P0530
L-connection M5-6 QSML-M5-6	657P0529
Hose PUN 6/4 mm, black	657P0547

The information in this publication is subject to technical changes.



**LAMTEC Meß- und Regeltechnik  
für Feuerungen GmbH & Co. KG**

Wiesenstraße 6  
D-69190 Walldorf  
Telefon: +49 (0) 6227 6052-0  
Telefax: +49 (0) 6227 6052-57

[info@lamtec.de](mailto:info@lamtec.de)  
[www.lamtec.de](http://www.lamtec.de)

