

# Technical Data GUI607

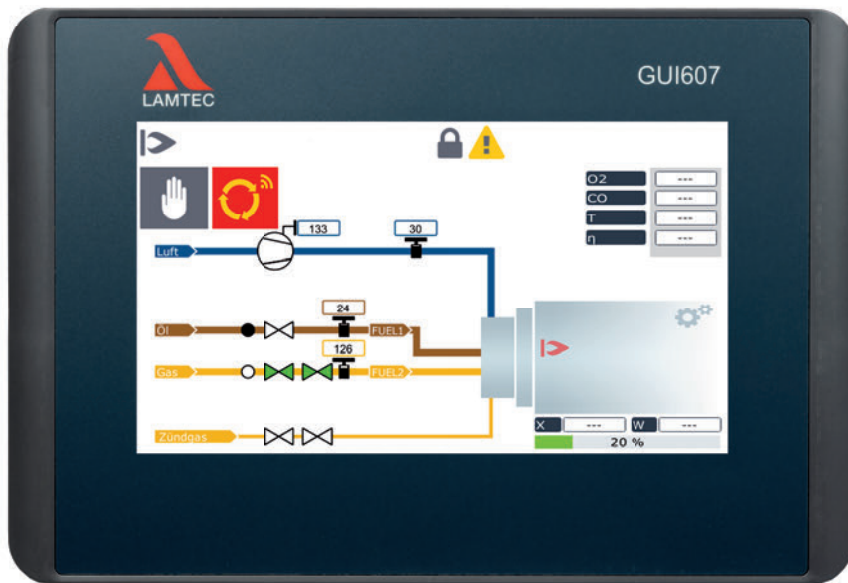


Fig. 1 GUI607

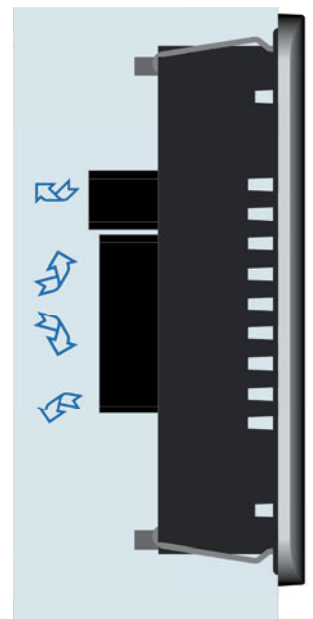


Fig. 2 Ensure unobstructed air circulation! >20 mm / 0.79" in

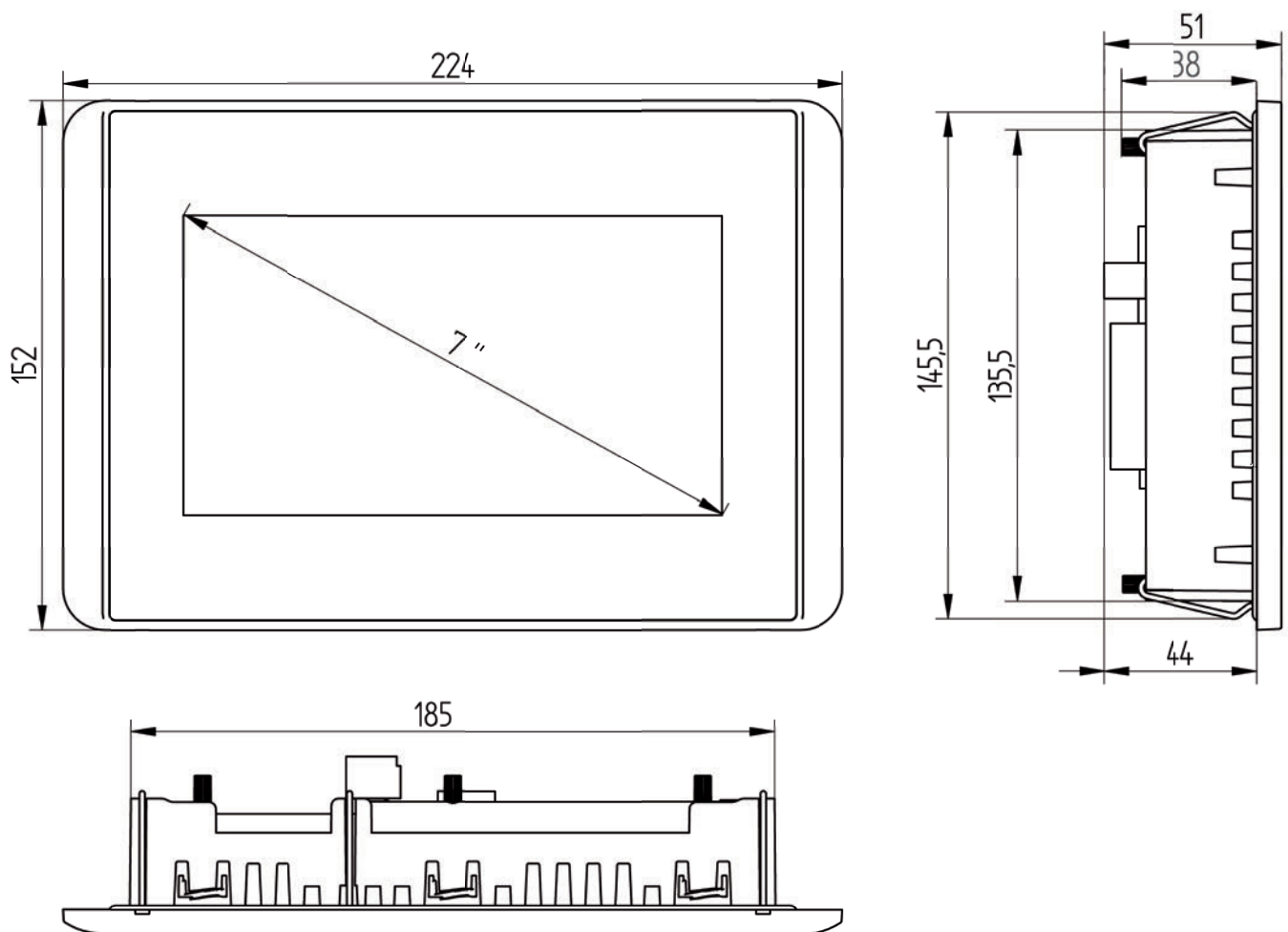


Fig. 3 GUI607 mounting dimensions in mm

# Technical Data GUI607

Cut-out for GUI607 installation: 187 × 137 mm | 7.36" x 5.39" in for a sheet thickness of 2 mm

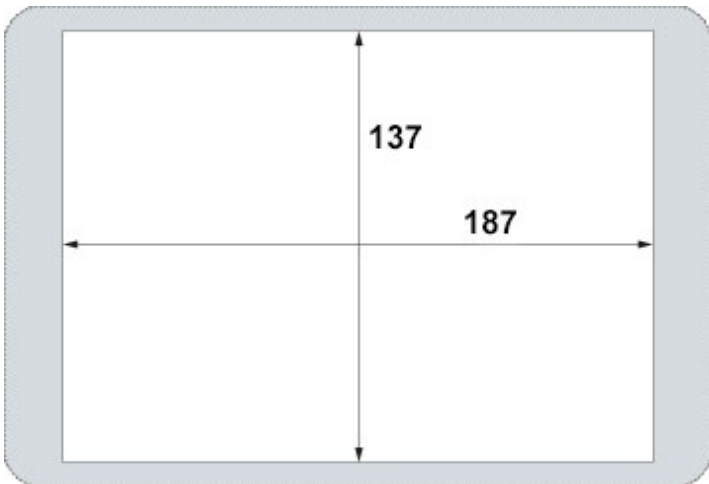


Fig. 4 Panel cut out GUI607 (dimensions in mm)

## Cut rectangular panel cut-out in the support material

High: 137.0 mm | 5.39" in  
 Width: 187.0 mm | 7.36" in  
 Max. corner radius: 3.0 mm | 0.12" in

## Optimum thickness of the carrier material

Degree of protection IP65 with twist-lock catches: only for 1.5 ... 3.0 mm 0.06 ... 0.12" in

Optimal: 1.5 ... 2.0 mm 0.06 ... 0.08" in

Max.: 3.0 mm | 0.12" in

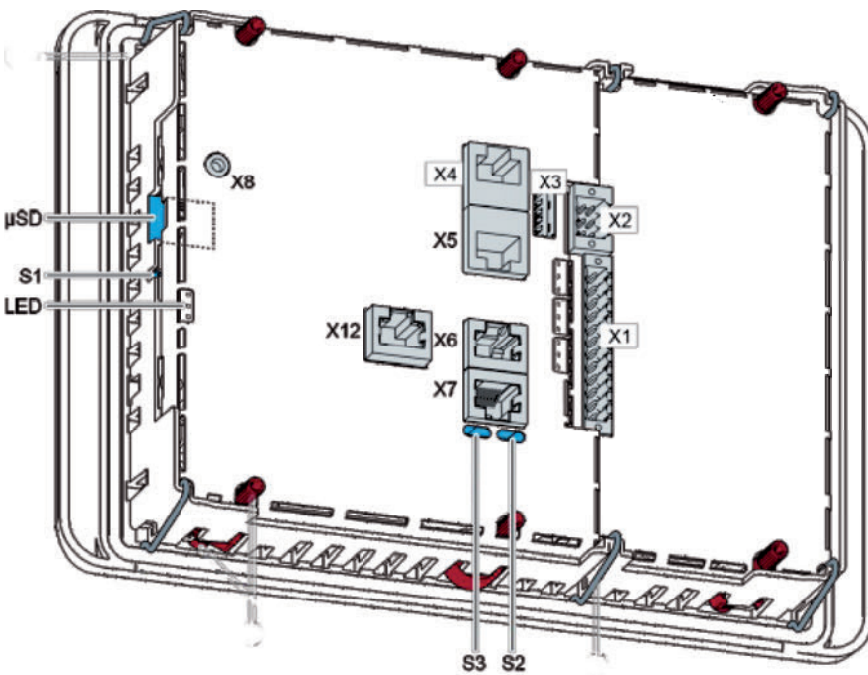


Fig. 5 Connections GUI607

## Connections

### Pos. Designation

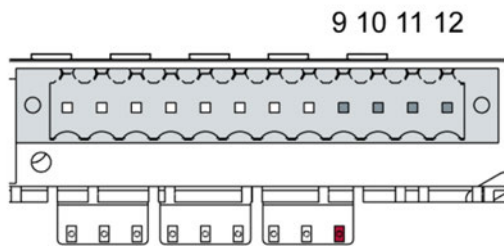
X1	Power supply, digital input/output
X2	Analogue input
X3	USB 2.0
X4	Ethernet (ETH0)
X5	EtherCAT(ETH1)
X6	RS-232/RS-485
X7	CAN Bus (CAN0)

### Pos. Designation

X8	Debug interface (just DC)
X12	CAN Bus (CAN1) optional
S1	Function key (rest and run/stop)
S2	Termination resistor CAN (120 Ω)
S3	Termination resistor RS-485 (120 Ω)
μSD	Connection microSD card (optional)
LED	LEDs: PWR, run/stop, error

## Technical Data GUI607

### X1 Power supply inputs PIN 10-12



PIN 10 and 11: L+ 24 V Power supply 24 V DC (−15 %/+20 %)  
PIN 12: GND

*Fig. 6 GUI607 X1 PIN assignment*

## Technical Data GUI607

Technical Data GUI607	
Dimensions (H × W × D)	224 × 152 × 51 mm   8.82 x 5.98 x 2.01" in
Weight	0.6 kg   1.32 lb
Installation	integrated locking tabs
Power supply	24 VDC -15/+20 % SELV max. AC voltage component 5 % with inverse-polarity protection
Power consumption	
Module electronics current consumption	type 0.3 A, max. 3 A at +24 VDC
Display diagonal/resolution	7" display, 800 × 400 (WVGA)
Touch screen type	resistive
Colours	TFT: 16.7 M (24 bits/pixel)
CPU	800 MHz ARM® CPU with Cortex™-A9 single core
RAM/flash/non-volatile memory	256 MB RAM/256 MB flash/100 kB FRAM
Communication interfaces	2 x Ethernet, 10/100 Base, RJ45
Flammability	

### Environmental conditions

<b>Operation</b>	perm. temperature range	24 V power supply: 0 ... +55 °C   32 ... 131 °F (condensation prohibited) 28.8 V power supply: 0 ... +50 °C   32 ... 194 °F (condensation prohibited)
	relative humidity	max. 8 %, non-condensing
<b>Transport/Storage</b>	perm. temperature range	-20 ... +70 °C   -4 ... 158 °F (condensation prohibited)
	relative humidity	max. 85 %, non-condensing
<b>Degree of protection</b>	DIN EN 60529	IP20 back IP65 front, with tensioned twist-lock catch
<b>Protection class</b>	DIN EN 60529	III
<b>Electronic safety</b>	insensitivity to interference	EN 61131-2/EN-En61000-6-2; industrial premises
	emitted interference	EN EN 61000-6-4; industrial premises
<b>Mechanical safety</b>	vibration	sinusoidal (EN 90068-2-6) test: Fc; 10 - 150 Hz, 1 G (operating mode)
	shock resistance	15 G (approx. 150 m/s <sup>2</sup>   492.13 ft/s <sup>2</sup> ), duration 10 ms, semi-sinusoidal (EN 600068-2-27) Test: Ea

### Certification:

<b>CE</b>	DIN EN 61131-2 IEC 61010-2-201 DIN EN 610-10-2-201
<b>cUL<sub>us</sub></b>	UL 61010-2-201

# Technical Data GUI607

## NOTICE

The limits of the technical data must be strictly adhered to.

## Order Information

### Display modules GUI607

Description/Type	Order no.
Graphical display module 7", 24 VDC, panel installation Touch panel with graphic menus for convenient curve programming, extended parameter setting and all system queries	668R1000

## Approvals



The information in this publication is subject to technical changes.

### LAMTEC Meß- und Regeltechnik für Feuerungen GmbH & Co. KG

Josef-Reiert-Straße 26

D-69190 Walldorf

Telefon: +49 (0) 6227 6052-0

Telefax: +49 (0) 6227 6052-57

[info@lamtec.de](mailto:info@lamtec.de)  
[www.lamtec.de](http://www.lamtec.de)

