

for Flame Detector Devices F 250, F 150,
Burner Control ETAMATIC



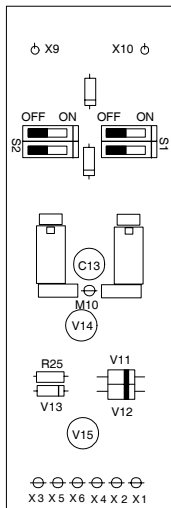
Criterion for selection of Flame Sensors

Sensor type	for radiated spectrum of	Application - Fuel
FFS 05 UV-1 (Ex)	260 ... 400 nm	Oil, Gas (for highly required selectivity, also against back ground fire, like incineration – and coal fire)
FFS 05 UV-2 (Ex) FFS 05 UV-3 (Ex)	210 ... 380 nm	Gas (monitoring of special gases ie. refinery – and blast furnace gases and/or against intensive back ground fire like hard coal fire produces)
FFS 05-1 (Ex)	850 ... 1200 nm	Dust coal firing (firing chamber flame monitoring)
FFS 05 (Ex)	1200 ... 2800 nm	Oil, gas, wood, coal firing with very much of flue gas recirculation, yellow coloured waste gases without UV-radiation respectively shielded UV-radiation by steam, dust, etc.

Instructions for installation and operating the Flame Sensors

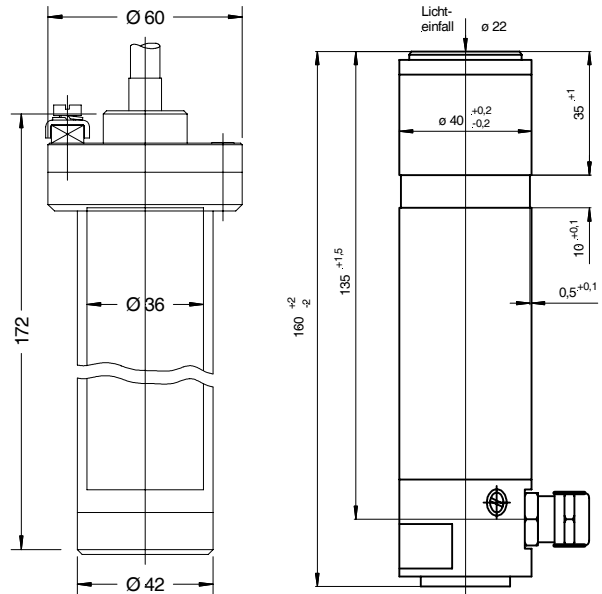
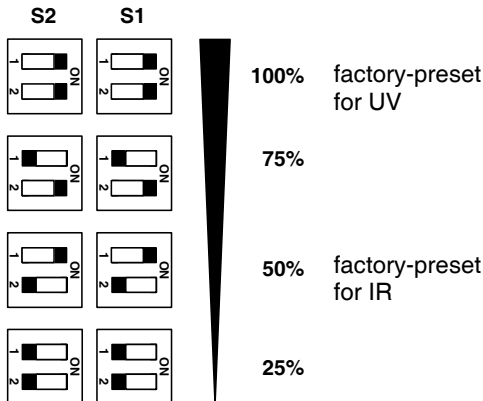
Adjust the flame sensor with its designated bracket to the view opening of the burner, so that the burner-flame is good visible and can be excellent monitored for the „full firing rate of the furnace“. The flame sensor should be adjusted to the first third part of the flame for selective monitoring tasks. Sensitivity adjustments according to the flame can be made by threshold-switches of the flame sensor. Therefore open, -screw off the flame sensor casing and adjust the switches according the following illustration.

FFS 05... (Ex)



The adjustments are made by the switches S1 and S2, accessible after opened flame sensor casing.

Sensitivity



Order text information

The Flame Sensor FFS 05... is delivered incl. 3 m connecting cable respectively with 0,3 m and Coninvers plug. Is the order of FFS 05 with the Coninvers plug, than an additional connector plug incl. 3 m connecting cable (659 R 0112) is required and has to be ordered too.

The Flame Sensor FFS 05... Ex (installed in the BARTEC casing, PTB 03 ATEX 1026, II 2G EEx d IIC T6) are always delivered without a plug.

Therefore the Junction box FG 24 Ex (ABTECH casing, SIRA99ATEX3173, II 2GD EExe II T6) is available.

FFS 05	without plug, 3 m cable	659 R 1001	FFS 05	with plug, 0,30 m cable	659 R 1011/OE
FFS 05-1	without plug, 3 m cable	659 R 1002	FFS 05-1	with plug, 0,30 m cable	659 R 1012/OE
FFS 05 UV-1	without plug, 3 m cable	659 R 2001	FFS 05 UV-1	with plug, 0,30 m cable	659 R 2011/OE
FFS 05 UV-2	without plug, 3 m cable	659 R 2002	FFS 05 UV-2	with plug, 0,30 m cable	659 R 2012/OE
FFS 05 UV-3	without plug, 3 m cable	659 R 2003	FFS 05 UV-3	with plug, 0,30 m cable	659 R 2013/OE
				Coninvers connector plug with 3 m Kabel	659 R 0112

FFS 05 Ex	659 R 1101
FFS 05-1 Ex	659 R 1102
FFS 05 UV-1 Ex	659 R 1103
FFS 05 UV-2 Ex	659 R 1104
FFS 05 UV-3 Ex	659 R 1105
FG 24 Ex Junction Box	659 R 0111

Weight:	0,4 kg (FFS 05...) 1,6 kg (FFS 05... Ex)
Protection class:	IP 65
Ambient temperature:	-10°C ... +60 °C



**LAMTEC Meß- und Regeltechnik
für Feuerungen GmbH & Co KG**
Impexstraße 5
D-69190 Walldorf
Telefon (+49) 0 62 27 / 60 52-0
Telefax (+49) 0 62 27 / 60 52-57
Internet <http://www.lamtec.de>
E- Mail: info@lamtec.de

LAMTEC Leipzig GmbH & Co KG

Schlesierstraße 55
D-04299 Leipzig
Telefon (+49) 03 41 / 86 32 94 00
Telefax (+49) 03 41 / 86 32 94 10

Brochure no. DLT 7501-09-aE-0003
Printed in Germany