

Technical Data Fiber Optic-System for F200K/F300K

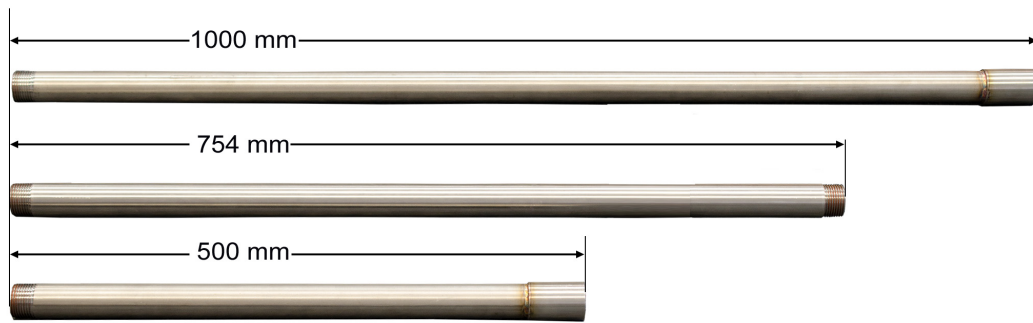


Fig. 1 Rigid housing



Fig. 2 Flexible housing

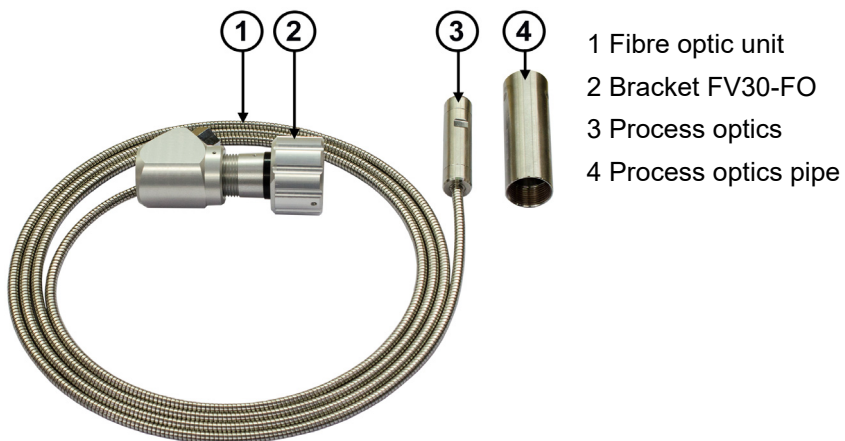


Fig. 3 Fibre Optic-System

Technical Data Fiber Optic-System for F200K/F300K

Dimensions

Available lengths	min. 1.5 m to 10 m (gradations every 0.5 m) min. 4.92 ft to 32.81 ft (gradations every 1.64 ft)
Housing material	Rigid housing (tubes): Stainless steel 1.4301 FV30-FO bracket: Seawater-resistant aluminium EN AW-6082 Fibre optics adapter: POM black Flexible housing: Stainless steel 1.4404 Stainless steel braiding: 1.4301 Threaded connections: Stainless steel 1.4541
Bend radius (smallest)	250 mm / 9.84" in
Cooling air connection	G ½"
Flushing/cooling air	Oil-free and dust-free cooling air/compressed air
Weight	approx. 2 kg + 1 kg/m / approx. 4.41 lb + 0.67 lb/ft

Features

Spectral region	(220 - 1200nm) UV, VIS; NIR
Viewing angle	6° process optic / 8° Flame scanner

Environmental conditions

Perm. usage temperature	-40 °C ... +350 °C (protective housing) + 200 °C fibre bundle -40 °F ... +662 °F (protective housing) + 392 °F fibre bundle
-------------------------	--

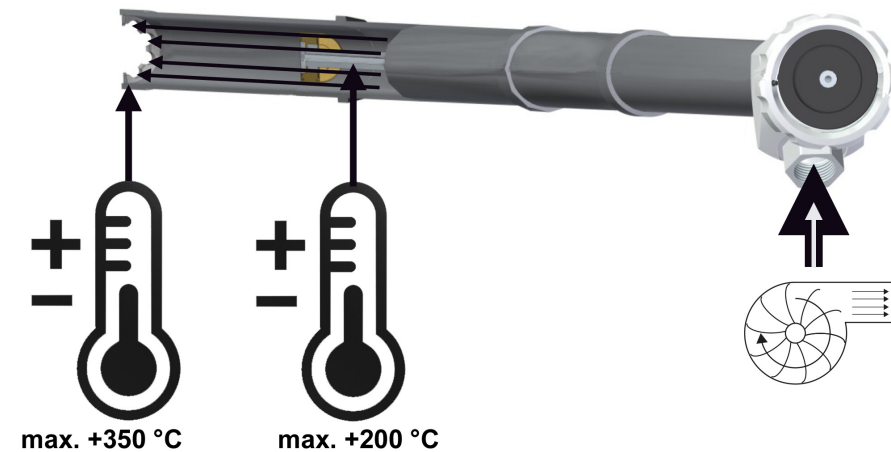


Fig. 4 Maximum permissible temperatures

Technical Data Fiber Optic-System for F200K/F300K

Order Information

Description/Type	Order no.
Fibre optic for F200K / F300K, incl. bracket, process optics and housing	659S50

A 10 – "FIBRE TYPE / COMPLETE LENGTH OF FIBRE OPTIC"	Selection
UV/max. INSTALLATION DEPTH 834 MM / 32.83" IN (COMPLETE LENGTH * = 1.0 M / 3.28 FT)	UV10
UV/max. INSTALLATION DEPTH 1384 MM / 54.49" IN (COMPLETE LENGTH * = 1.5 M / 4.92 FT)	UV15
UV/max. INSTALLATION DEPTH 1884 MM / 74.17" IN (COMPLETE LENGTH * = 2.0 M / 6.56 FT)	UV20
UV/max. INSTALLATION DEPTH 2384 MM / 93.86" IN (COMPLETE LENGTH * = 2.5 M / 8.20 FT)	UV25
UV/max. INSTALLATION DEPTH 2884 MM / 113.54" IN (COMPLETE LENGTH * = 3.0 M / 9.84 FT)	UV30
IR (on request)	IR

* = Complete length: Lense process optic - bracket (without flame scanner)

A 20 – "FLEXIBLE PART OF COMPLETE LENGTH" Length of the flexible part is in standard 1 m shorter as the complete length of fibre optic	Selection
WITHOUT	00
0.5 M / 1.64 FT	05
1.0 M / 3.28 FT	10
1.5 M / 4.92 FT	15
2.0 M / 6.56 FT	20
2.5 M / 8.20 FT	25
3.0 M / 9.84 FT	30

A 30 – "PROCESS OPTIC"	Selection
UV PROCESS OPTIC, LENSE d=15 MM (standard)	10

Brackets/Fittings

Description/Type	Order no.
Welding flange PN10 in acc. to DIN2642, DN32/35 x 16, stainless steel 1.4301	659S5017
Cutting ring fitting, d=15 mm, R 1¼", stainless steel 1.4301	659S5018
Threaded connection flange PN16 in acc. to EN 1092-1/13, DN32 Rp 1¼", stainless steel 1.4301	659S5019
Adjusting stand process optic for pipe DN100	659S5012/10
Adjusting stand process optic for pipe DN80	659S5012/20

Spare parts housing

Description/Type	Order no.
Bracket FV30-FO, threaded connection with purge air G ½"	659S5013
Mounting tube process optic, length 120 mm	659S5011

Technical Data Fiber Optic-System for F200K/F300K

Fibre optic, without bracket, without housing	Order no.
UV fibre bundles incl. process optics and adapter FO, length 1.0 m / 3.28 ft	659S5022/10
UV fibre bundles incl. process optics and adapter FO, length 1.5 m / 4.92 ft	659S5022/15
UV fibre bundles incl. process optics and adapter FO, length 2.0 m / 6.56 ft	659S5022/20
UV fibre bundles incl. process optics and adapter FO, length 2.5 m / 8.20 ft	659S5022/25
UV fibre bundles incl. process optics and adapter FO, length 3.0 m / 9.84 ft	659S5022/30
UV fibre bundles incl. process optics and adapter FO, length 3.5 m / 11.48 ft	659S5022/35
UV fibre bundles incl. process optics and adapter FO, length 4.0 m / 13.12 ft	659S5022/40
UV fibre bundles incl. process optics and adapter FO, length 4.5 m / 14.76 ft	659S5022/45
UV fibre bundles incl. process optics and adapter FO, length 5.0 m / 16.40 ft	659S5022/50
UV fibre bundles incl. process optics and adapter FO, length 5.5 m / 18.04 ft	659S5022/55
UV fibre bundles incl. process optics and adapter FO, length 6.0 m / 19.69 ft	659S5022/60
UV fibre bundles incl. process optics and adapter FO, length 6.5 m / 21.33 ft	659S5022/65
UV fibre bundles incl. process optics and adapter FO, length 7.0 m / 22.97 ft	659S5022/70
UV fibre bundles incl. process optics and adapter FO, length 7.5 m / 24.60 ft	659S5022/75
UV fibre bundles incl. process optics and adapter FO, length 8.0 m / 26.25 ft	659S5022/80
UV fibre bundles incl. process optics and adapter FO, length 8.5 m / 28.89 ft	659S5022/85
UV fibre bundles incl. process optics and adapter FO, length 9.0 m / 29.53 ft	659S5022/90
UV fibre bundles incl. process optics and adapter FO, length 9.5 m / 31.17 ft	659S5022/95
UV fibre bundles incl. process optics and adapter FO, length 10.0 m / 32.80 ft	659S5022/100

Spare parts fibre optic	Order no.
UV-process optic, Lens d=15 mm	659S5015/10
UV fibre bundle, length 1.0 m / 3.28 ft, without process optics, without adapter	659S5021/10
UV fibre bundle, length 1.5 m / 4.92 ft, without process optics, without adapter	659S5021/15
UV fibre bundle, length 2.0 m / 6.56 ft, without process optics, without adapter	659S5021/20
UV fibre bundle, length 2.5 m / 8.20 ft, without process optics, without adapter	659S5021/25
UV fibre bundle, length 3.0 m / 9.84 ft, without process optics, without adapter	659S5021/30
UV fibre bundle, length 3.5 m / 11.48 ft, without process optics, without adapter	659S5021/35
UV fibre bundle, length 4.0 m / 13.12 ft, without process optics, without adapter	659S5021/40
UV fibre bundle, length 4.5 m / 14.76 ft, without process optics, without adapter	659S5021/45
UV fibre bundle, length 5.0 m / 16.40 ft, without process optics, without adapter	659S5021/50
UV fibre bundle, length 5.5 m / 18.04 ft, without process optics, without adapter	659S5021/55
UV fibre bundle, length 6.0 m / 19.69 ft, without process optics, without adapter	659S5021/60
UV fibre bundle, length 6.5 m / 21.33 ft, without process optics, without adapter	659S5021/65
UV fibre bundle, length 7.0 m / 22.97 ft, without process optics, without adapter	659S5021/70
UV fibre bundle, length 7.5 m / 24.60 ft, without process optics, without adapter	659S5021/75
UV fibre bundle, length 8.0 m / 26.25 ft, without process optics, without adapter	659S5021/80
UV fibre bundle, length 8.5 m / 28.89 ft, without process optics, without adapter	659S5021/85
UV fibre bundle, length 9.0 m / 29.53 ft, without process optics, without adapter	659S5021/90
UV fibre bundle, length 9.5 m / 31.17 ft, without process optics, without adapter	659S5021/95
UV fibre bundle, length 10.0 m / 32.80 ft, without process optics, without adapter	659S5021/100

The information in this publication is subject to technical changes.



**LAMTEC Meß- und Regeltechnik
für Feuerungen GmbH & Co. KG**

Josef-Reiert-Straße 26

D-69190 Walldorf

Telefon: +49 (0) 6227 6052-0

Telefax: +49 (0) 6227 6052-57

info@lamtec.de
www.lamtec.de

